

MSVF3X3313IR3-BCDN

Type	AI VARI	Mount	ø14 Straight Mount			
Focal Length	3.3~10.0mm	Back Focus	5.5~11.9mm			
Fno.	F1.3	Flange Back	13.8mm			
Designed Image Format	1/2.7"(ø 6.6)	Exit Pupil	-74.8 ~ -21.4mm			
Operation Range	Iris	F1.3-T360	Filter Size	-		
	Focus	0.5m~ ∞	Aperture	Front	ø 16.4mm	
Zoom	3.3~10.0mm	Rear		ø 6.7mm		
Control	Iris	DC Galvanometer	Dimension	ø29 x 37.9mm		
	Focus	Manual		Weight	24g	
	Zoom	Manual				
Object Size at MOD (500mm)	Wide	683.8x1091.9mm	526.5x1324.6mm			
	Tele	216.5x291.9mm	176.3x320.1mm			
Field of View	D	4:3 127.6°~39.9°	16:9 127.6°~39.9°	FM		
	H	Screen 93.9°~31.9°	Screen 104.8°~34.8°			
	V	(1/2.7) 67.5°~23.9°	(1/2.7) 54.5°~19.6°			
Control	Iris	Focus	Zoom			
Driving Coil/Supply Volt.	190Ω	-	-			
Damping Coil/Current	855Ω	-	-			
IR Cut Filter	3V ~ 5V	-	-			
Response Time	-	-	-			
Potentiometer	-	-	-			
Light Measuring Method	-	-	-			
Input Signal	-	-	-			
Iris Accuracy	-	-	-			
Sensitivity Adjustment	-	-	-			
Operating Temperature	-20 ~ +50 degree C			BCDN		

1/2.7"

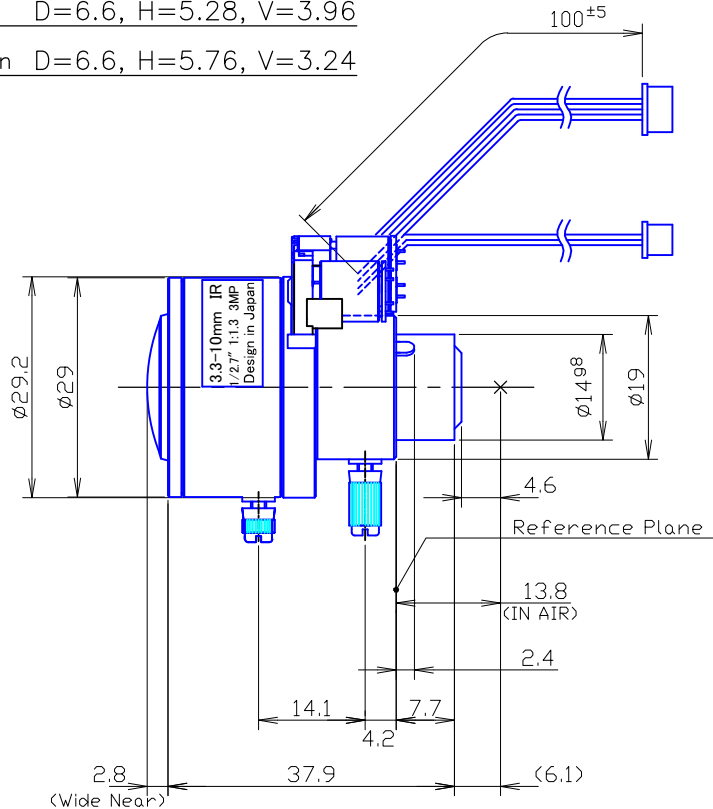
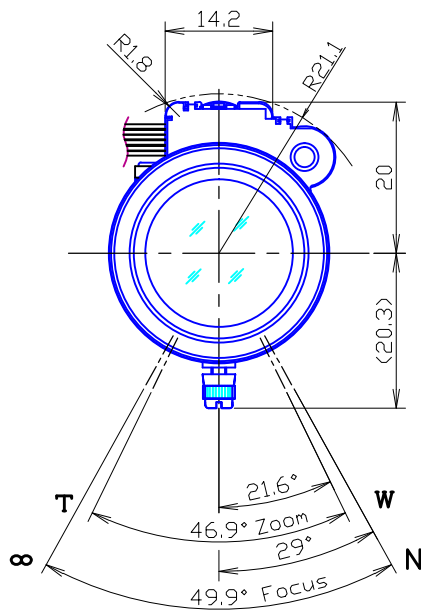
FM

BCDN

DIMENSIONS

4:3 Screen D=6.6, H=5.28, V=3.96

16:9 Screen D=6.6, H=5.76, V=3.24



Wiring Diagram

1) 4-pin Connector for Auto Iris (Molex : 51021-0400 Single Socket)

Pin No.1	Yellow	Damping(+)	▶
2	Orange	Damping(-)	
3	Brown	Driving (+)	
4	Red	Driving (-)	

2) 2-pin Connector for IR Cut Filter (Molex : 51021-0200 Single Socket)

Pin No.1	Red	IR IN/OUT(+)	▶
2	Black	IR GND	