

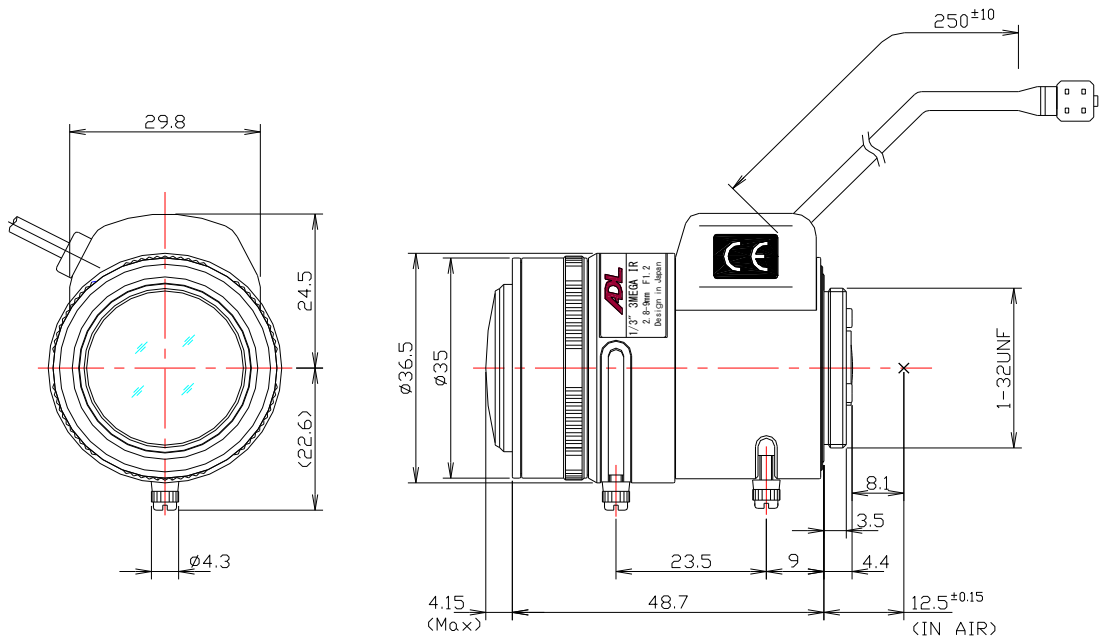
3 Mega Pixel

MTV3X2812S(P-Iris Pattern A)



Type	AI VARI		Mount	CS	
Focal Length	2.8~9.0mm		Back Focus	8.018~15.491mm	
Fno.	F1.2		Mechanical Bf	8.1mm	
Designed Image Format	1/3" (φ 6.0mm)		Exit Pupil	-654.3 ~ -30.15mm	
Operation Range	Iris	F1.2-Close	Filter Size	-	
	Focus	0.5m~∞	Aperture	Front	φ 23.3mm
	Zoom	2.8~9.0mm		Rear	φ 8.2mm
Control	Iris	Mortorized	Dimension		φ 36.5 x 48.7mm
	Focus	Manual Control	Weight		55.5g
	Zoom	Manual Control			
	ICR	-			
Object Size at MOD	Wide	4:3 741.4x1171.4mm			
	Tele	221.6x298.8mm			
Field of View	D	125.7° ~ 39.6°	16:9		
	H	97.7° ~ 31.7°		107.4° ~ 34.5°	
	V	71.9° ~ 23.8°			
Control	Iris		Focus	Zoom	
Motor type	PM type stepping motor		-	-	
Operation voltage	3V~5V		-	-	
Coil resistance	48Ω /phase ±10%		-	-	
Excite driving method	2phase excitation bipolar method		-	-	
Step angle	18°		-	-	
Insulation resistance	1MΩ or more		-	-	
Input Signal			-	-	
Iris Accuracy			-	-	
Sensitivity Adjustment			-	-	
Operating Temperature			-10 ~ +50 °C		

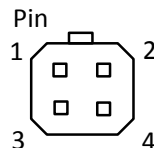
DIMENSIONS



Wiring Diagram

P iris Connector for Auto Iris

PIN No.	STEP PHASE	CLOSE		OPEN	
		1	2	3	4
1	A	H	L	L	H
2	B	L	L	H	H
3	\bar{B}	H	H	L	L
4	\bar{A}	L	H	H	L



Subject to change without notice