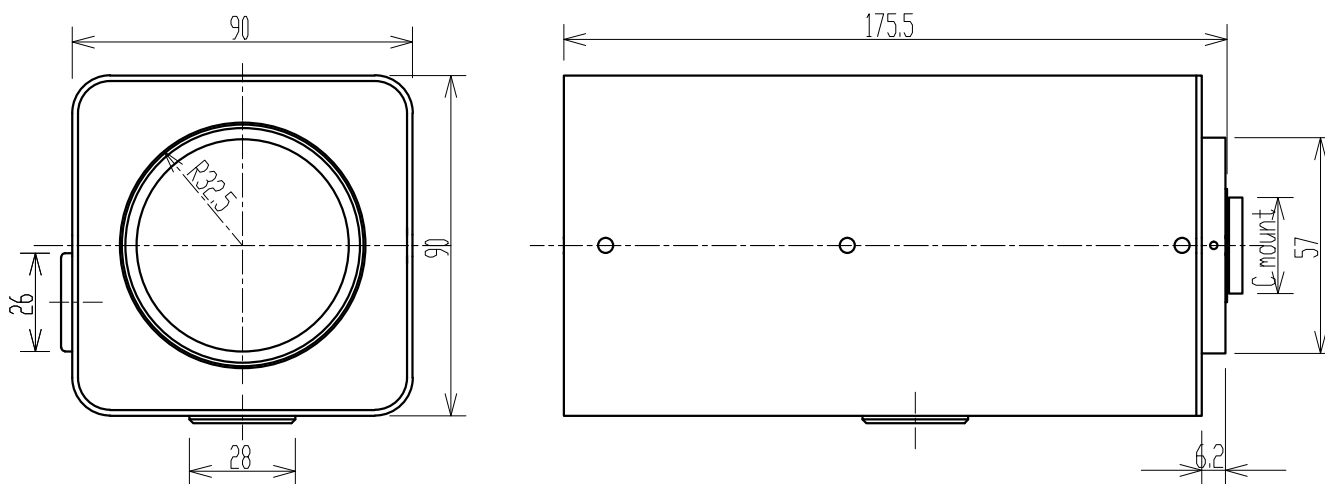


HZ50X1046DPFIR (2Mega)

Type	AI ZOOM		Mount	C	1/1.8"			
Focal Length	10~500mm		Back Focus	36.53mm				
Fno.	F4.6		Mechanical Bf	13.53mm				
Designed Image Format	1/1.8"(7.1x5.4mm)		Exit Pupil	-78.108mm				
Operation Range	Iris	F4.6-T360	Filter Size	M65 P=0.75				
	Focus	10m ~ infinity	Aperture	Front	∅ 56.20			
	Zoom	10~500mm		Rear	∅ 8.60			
Control	Iris	DC Auto Iris	Dimension	90x90x175.5mm				
	Focus	Motorized				Weight	1400g	
	Zoom	Motorized						
	Filter	Motorized						
Preset	Focus & Zoom							
Object Size at MOD	Wide	6.68x5.08mm						
	Tele	0.14x0.11mm						
Field of View	D	43.04°~1.01°	1/2"	40.29°~0.93°				
	H	1/1.8" 35.12°~0.81°		32.71°~0.74°				
	V	26.82°~0.61°		24.82°~0.56°				
Control	Iris		Focus	Zoom				
Driving Coil/Supply Volt.	190Ω		DC 6-12V	DC 6-12V				
Damping Coil/Current	1150Ω		-	-				
Response Time	2-3 sec.		Approx. 14 sec.at 6V	Approx. 14 sec.at 6V				
Operating Temperature	-10°C ~ +50 °C							

DIMENSIONS



Wiring Diagram

1) DC Auto Iris

Pin No.1	Yellow	Drive(+)
Pin No.2	Orange	Dump(+)
Pin No.3	Black	Dump(-)
Pin No.4	Red	Drive(-)

2) 10-Core Cable

White	Filter(+)	IN	Black	Focus	
Brown	Filter		Purple	Pot. Supply	Power(+)
Yellow	Zoom (+)	Tele	Orange	Pot. Return	Power(-)
Red	Zoom		Gray	Zoom out	Max. at Tele
Green	Focus (+)	Near	Blue	Focus out	Max. at Near