

MSVF3X3315IR-BCD

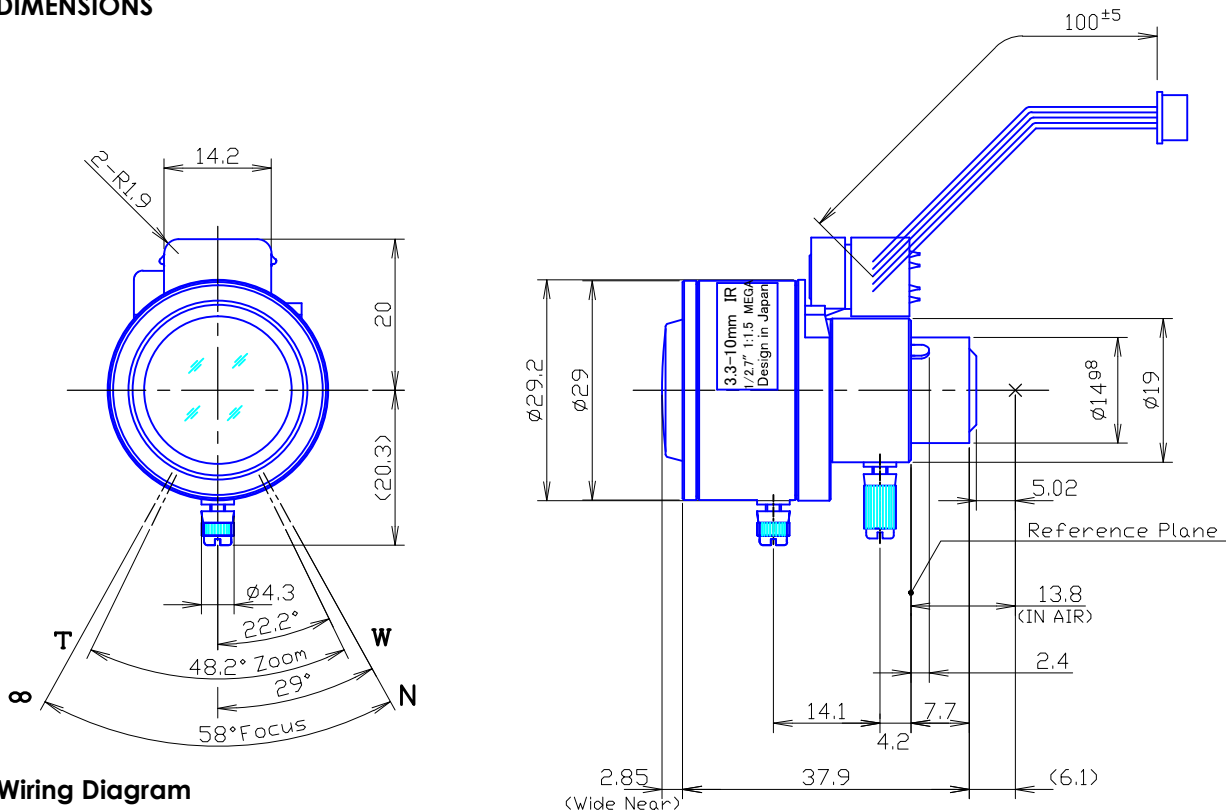
| | | | | |
|---------------------------|--------------------|--------------------|---------------------|--------------------|
| Type | AI VARI | | Mount | ø14 Straight Mount |
| Focal Length | 3.3~10.0mm | | Back Focus | 5.62~12.3mm |
| Fno. | F1.5 | | Flange Back | 13.8mm |
| Designed Image Format | 1/2.7"(ø 6.71) | | Exit Pupil | -73.9 ~ -21.5mm |
| Operation Range | Iris | F1.5-F360 | Filter Size | - |
| | Focus | 0.5m~∞ | Aperture | Front ø 15.9mm |
| | Zoom | 3.3~10.0mm | | Rear ø 6.6mm |
| Control | Iris | DC Galvanometer | Dimension | ø29 x 37.9mm |
| | Focus | Manual | | |
| | Zoom | Manual | | |
| Object Size at MOD | Wide | 684.5x1082.3mm | 534.6x1344.3mm | |
| | Tele | 215.3x290.3mm | 177.3x323.3mm | |
| Field of View | D | 4:3 122.6°~39.7° | 16:9 125.3°~40.4° | FM |
| | H | Screen 93.3°~31.8° | Screen 105.5°~35.3° | |
| | V | Screen 67.8°~23.9° | Screen 55.4°~19.7° | |
| Control | Iris | Focus | Zoom | |
| Driving Coil/Supply Volt. | 190Ω | - | - | |
| Damping Coil/Current | 855Ω | - | - | |
| IR Cut Filter | 3V ~ 5V | - | - | |
| Response Time | - | - | - | |
| Potentiometer | - | - | - | |
| Light Measuring Method | - | | | |
| Input Signal | - | | | |
| Iris Accuracy | - | | | |
| Sensitivity Adjustment | - | | | |
| Operating Temperature | -20 ~ +50 degree C | | | BCD |

1/2.7"

FM

BCD

DIMENSIONS



Wiring Diagram

1) 4-pin Connector for Auto Iris
(Molex : 51021-0400 Single Socket)

| | | |
|----------|--------|-------------|
| Pin No.1 | Yellow | Damping(+) |
| 2 | Orange | Damping(-) |
| 3 | Brown | Driving (+) |
| 4 | Red | Driving (-) |