

MSVF3X3315IR-BCDN

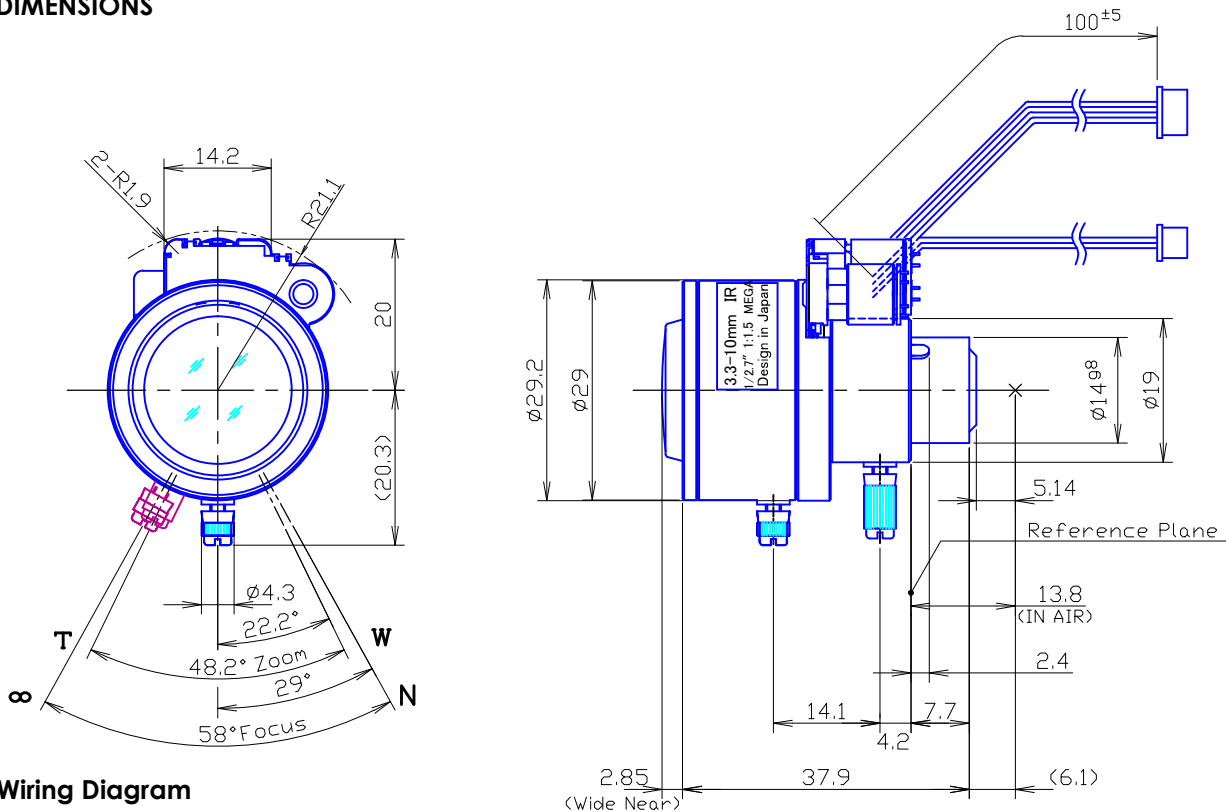
Type	AI VARI		Mount	ø14 Straight Mount
Focal Length	3.3~10.0mm		Back Focus	5.62~12.3mm
Fno.	F1.5		Flange Back	13.8mm
Designed Image Format	1/2.7"(ø 6.71)		Exit Pupil	-73.9 ~ -21.5mm
Operation Range	Iris	F1.5-F360	Filter Size	-
	Focus	0.5m~∞	Aperture	Front ø 15.9mm
	Zoom	3.3~10.0mm		Rear ø 6.6mm
Control	Iris	DC Galvanometer	Dimension	ø29 x 37.9mm
	Focus	Manual		
	Zoom	Manual		
Object Size at MOD	Wide	684.5x1082.3mm	534.6x1344.3mm	
	Tele	215.3x290.3mm	177.3x323.3mm	
Field of View	D	4:3 122.6°~39.7°	16:9 125.3°~40.4°	FM
	H	Screen 93.3°~31.8°	Screen 105.5°~35.3°	
	V	Screen 67.8°~23.9°	Screen 55.4°~19.7°	
Control	Iris	Focus	Zoom	
Driving Coil/Supply Volt.	190Ω	-	-	
Damping Coil/Current	855Ω	-	-	
IR Cut Filter	3V ~ 5V	-	-	
Response Time	-	-	-	
Potentiometer	-	-	-	
Light Measuring Method	-			
Input Signal	-			
Iris Accuracy	-			
Sensitivity Adjustment	-			
Operating Temperature	-20 ~ +50 degree C			BCDN

1/2.7"

FM

BCDN

DIMENSIONS



Wiring Diagram

1) 4-pin Connector for Auto Iris
(Molex : 51021-0400 Single Socket)

Pin No.1	Yellow	Damping(+)
2	Orange	Damping(-)
3	Brown	Driving (+)
4	Red	Driving (-)

2) 2-pin Connector for IR Cut Filter
(Molex : 51021-0200 Single Socket)

Pin No.1	Red	IR IN/OUT(+/-)
2	Black	IR GND