

# MTVF3.6X2814IR-BCD

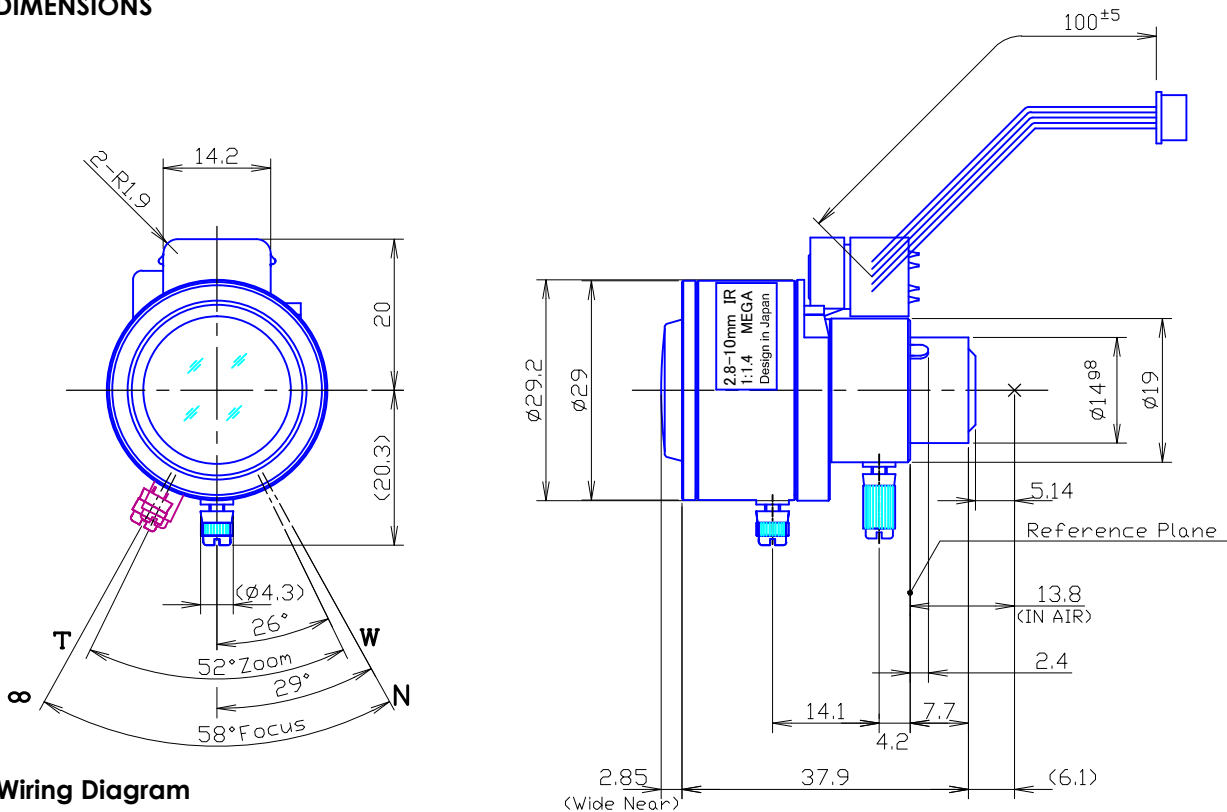
Type	AI VARI		Mount	ø14 Straight Mount		
Focal Length	2.8~10.0mm		Back Focus	5.4~12.3mm		
Fno.	F1.4		Flange Back	13.8mm		
Designed Image Format	1/3"(4.8x3.6mm)		Exit Pupil	-103.3 ~ -21.5mm		
Operation Range	Iris	F1.4-F360	Filter Size	-		
	Focus	0.5m~ ∞	Aperture	Front	ø15.9mm	
	Zoom	2.8~10.0mm		Rear	ø6.6mm	
Control	Iris	DC Galvanometer	Dimension	ø29 x 37.9mm		
	Focus	Manual		Weight	21g	
	Zoom	Manual				
Object Size at MOD	Wide	692.5x1106.4mm				
	Tele	194.4x261.8mm				
Field of View	D	1/3" $\frac{131.5^{\circ} \sim 36.0^{\circ}}$	1/4" $\frac{91.6^{\circ} \sim 27.0^{\circ}}$			
	H	$\frac{98.8^{\circ} \sim 28.8^{\circ}}$	$\frac{71.1^{\circ} \sim 21.6^{\circ}}$			
	V	$\frac{71.1^{\circ} \sim 21.6^{\circ}}$	$\frac{52.2^{\circ} \sim 16.2^{\circ}}$			
Control	Iris		Focus	Zoom		
Driving Coil/Supply Volt.	190Ω		-	-		
Damping Coil/Current	855Ω		-	-		
Response Time	-		-	-		
Potentiometer	-		-	-		
Light Measuring Method	-		-	-		
Input Signal	-		-	-		
Iris Accuracy	-		-	-		
Sensitivity Adjustment	-		-	-		
Operating Temperature	-20 ~ +50 degree C		-	-		

1/3"

FM

BCD

## DIMENSIONS



## Wiring Diagram

1) 4-pin Connector for Auto Iris  
(Molex : 51021-0400 Single Socket)

Pin No.1	Yellow	Damping(+)
2	Orange	Damping(-)
3	Brown	Driving (+)
4	Red	Driving (-)