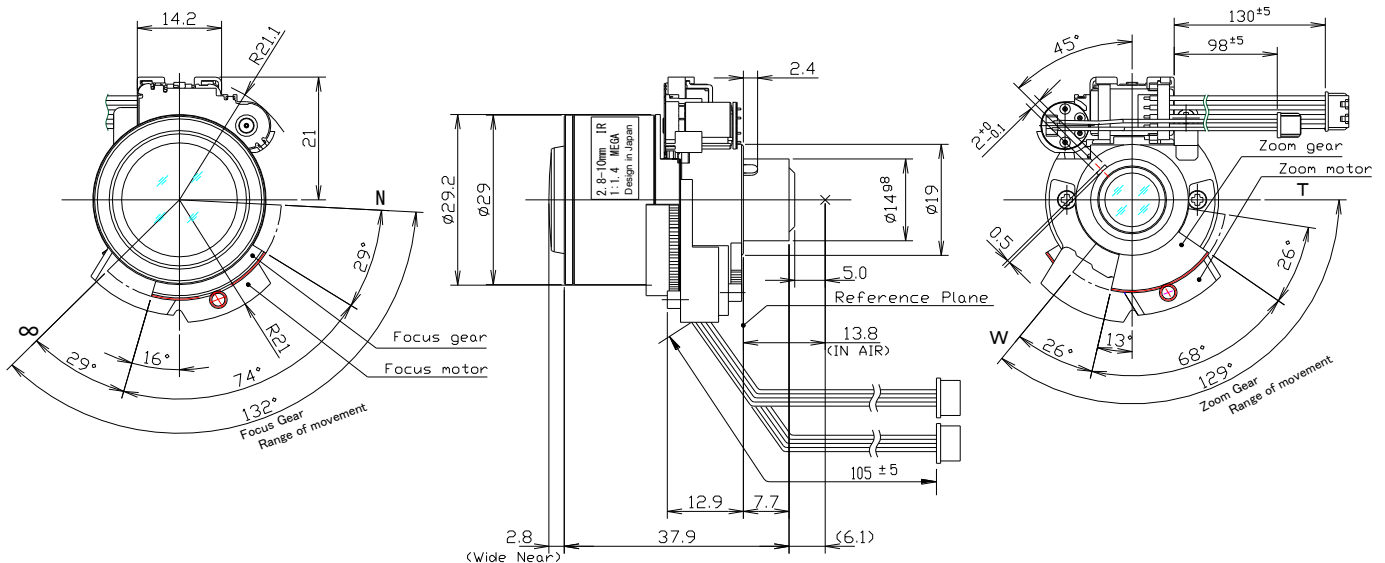


MTVF3.6X2814IR-BCPN-MD



Type	AI VARI		Mount	φ 14 Straight Mount		
Focal Length	2.8~10.0mm		Back Focus	5.4~12.3mm		
Fno.	F1.4		Flange Back	13.8mm		
Designed Image Format	1/3"(4.8x3.6mm)		Exit Pupil	-103.3 ~ -21.5mm		
Operation Range	Iris	F1.4-F16-Closed	Filter Size	-		
	Focus	0.5m~∞	Aperture	Front	φ 15.9mm	
	Zoom	2.8~10.0mm		Rear	φ 6.6mm	
Control	Iris	Mortorized	Dimension		φ 29 x 37.9mm	
	Focus	Mortorized				Weight
	Zoom	Mortorized	DC Galvanometer			
	ICR	DC Galvanometer			Object Size at MOD	
ICR	DC Galvanometer	Tele		261.8x194.4mm		
Field of View	D				131.5° ~ 36.0°	1/4"
	H	98.8° ~ 28.8°	71.1° ~ 21.6°			
	V	71.1° ~ 21.6°		52.2° - 16.2°		
Control		Iris	Focus		Zoom	IR cut filter
Motor type	PM type stepping motor		PM type stepping motor	PM type stepping motor	Galvanometer	
Operation voltage	2.6V ~ 3.8V		2.8V ~ 3.6V	2.8V ~ 3.6V	3.0V ~ 5.0V	
Coil resistance	28.5Ω /phase ±10%		28.5Ω /phase ±7%		190Ω /phase ±10%	
Excite driving method	2phase Bipolar Constant voltage		1-2phase Bipolar Constant voltage	1-2phase Bipolar Constant voltage	-	
Reduction ratio	-		1/131.574	1/131.574	-	
Step angle	0.709°		0.171°	0.171°	-	
Insulation resistance	1MΩ or more		1MΩ or more	1MΩ or more	1MΩ or more	
Light Measuring Method	-					
Input Signal	-					
Iris Accuracy	-					
Sensitivity Adjustment	-					
Operating Temperature	-10 ~ +50 °C					

DIMENSIONS



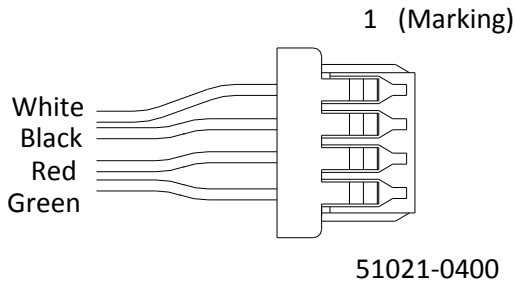
Subject to change without notice

MTVF3.6X2814IR-BCPN-MD



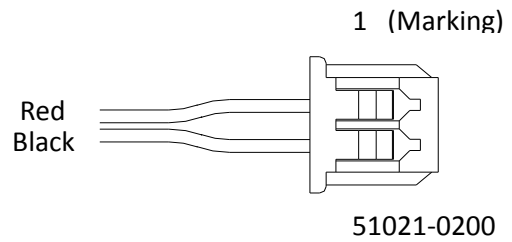
CONNECTION & CONTROL

(1) Auto Iris terminal



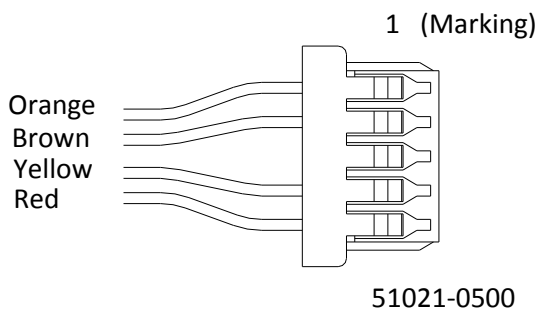
Pin number	Color	Assignment
1	White	A
2	Black	B
3	Red	A
4	Green	B

(2) IR Cut Filter Control terminal



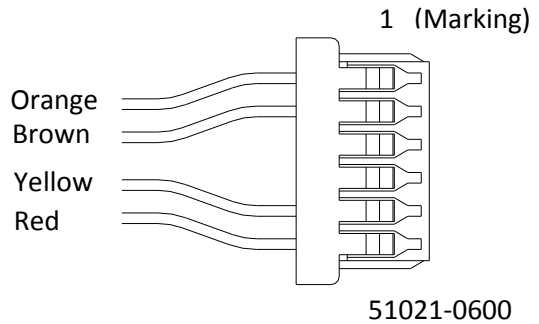
Pin number	Color	Assignment
1	Red	IR IN/OUT(-/+)
2	Black	IR GND

(3) Zoom Motor Control terminal



Pin number	Color	Assignment
1	Orange	B
2	Brown	A
3	N/A	N/A
4	Yellow	B
5	Red	A

(4) Focus Motor Control terminal



Pin number	Color	Assignment
1	Orange	B
2	Brown	A
3	N/A	N/A
4	N/A	N/A
5	Yellow	B
6	Red	A

(5) Motor Control Excitation pattern



Motor connection

Iris CW: Open → Close

Excite Pottem of CW revolution				
Step	A	Ā	B	B̄
0	H	L	H	L
1	L	H	H	L
2	L	H	L	H
3	H	L	L	H

Focus & Zoom

Excite Pottem of CW revolution				
Step	A	Ā	B	B̄
0	H	L	H	L
1	L	L	H	L
2	L	H	H	L
3	L	H	L	L
4	L	H	L	H
5	L	L	L	H
6	H	L	L	H
7	H	L	L	L