

MSVF3X3313IR-BCDN

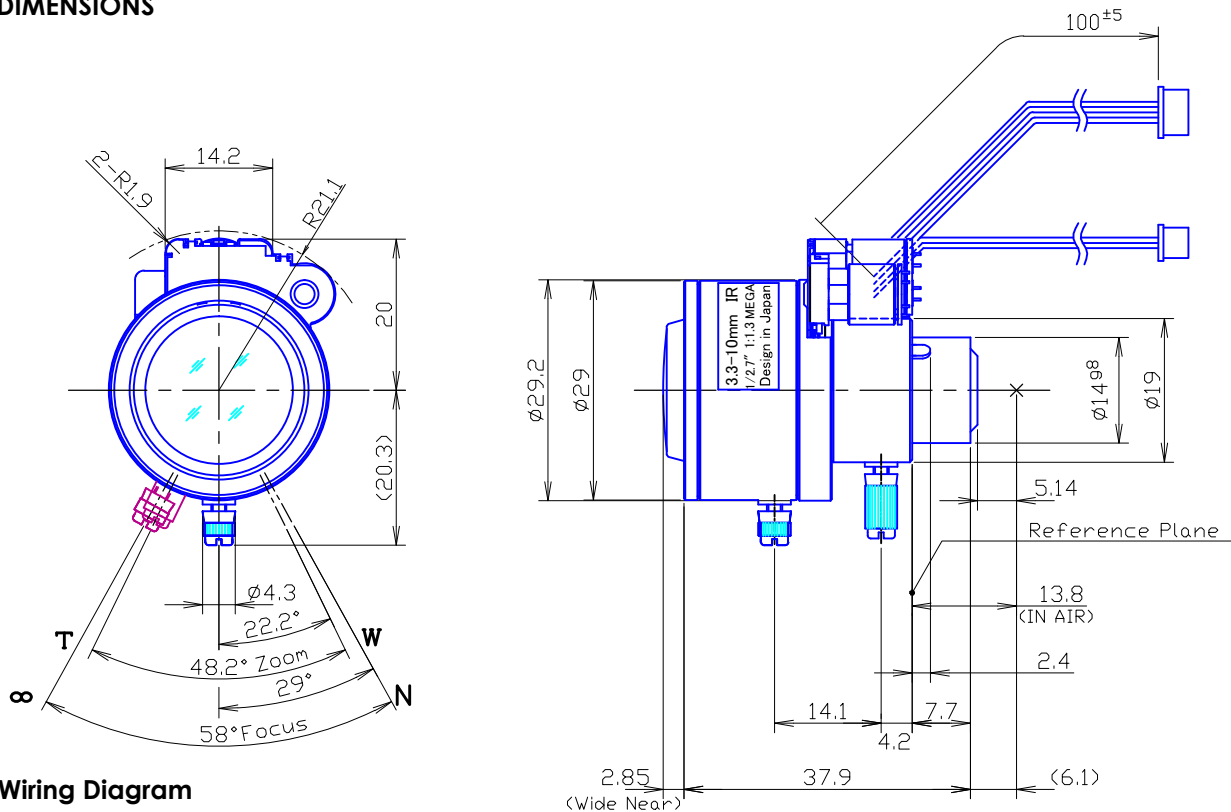
Type	AI VARI		Mount	ø14 Straight Mount		
Focal Length	3.3~10.0mm		Back Focus	5.7~12.3mm		
Fno.	F1.3		Flange Back	13.8mm		
Designed Image Format	1/2.7"(ø 6.6)		Exit Pupil	-66.7 ~ -21.1mm		
Operation Range	Iris	F1.3-T360	Filter Size	-		
	Focus	0.5m~ ∞	Aperture	Front	ø 15.9mm	
Zoom	3.3~10.0mm	Rear		ø 6.5mm		
Control	Iris	DC Galvanometer	Dimension	ø29 x 37.9mm		
	Focus	Manual		Weight	22.5g	
	Zoom	Manual				
Object Size at MOD	Wide	692.0x1105.9mm	545.9x1403.5mm			
	Tele	214.2x288.9mm	178.2x324.0mm			
Field of View	D	4:3	124.2°~39.8°	Screen		
	H	Screen	93.9°~31.8°			
	V	Screen	67.9°~23.9°			
Control	Iris		Focus			
	Zoom					
Driving Coil/Supply Volt.	190Ω			-		
Damping Coil/Current	855Ω			-		
IR Cut Filter	3V ~ 5V			-		
Response Time	-			-		
Potentiometer	-			-		
Light Measuring Method	-			-		
Input Signal	-			-		
Iris Accuracy	-			-		
Sensitivity Adjustment	-			-		
Operating Temperature	-20 ~ +50 degree C			-		

1/2.7"

FM

BCDN

DIMENSIONS



Wiring Diagram

1) 4-pin Connector for Auto Iris
(Molex : 51021-0400 Single Socket)

Pin No.1	Yellow	Damping(+)	▶
2	Orange	Damping(-)	
3	Brown	Driving (+)	
4	Red	Driving (-)	

2) 2-pin Connector for IR Cut Filter
(Molex : 51021-0200 Single Socket)

Pin No.1	Red	IR IN/OUT(+/-)	▶
2	Black	IR GND	