

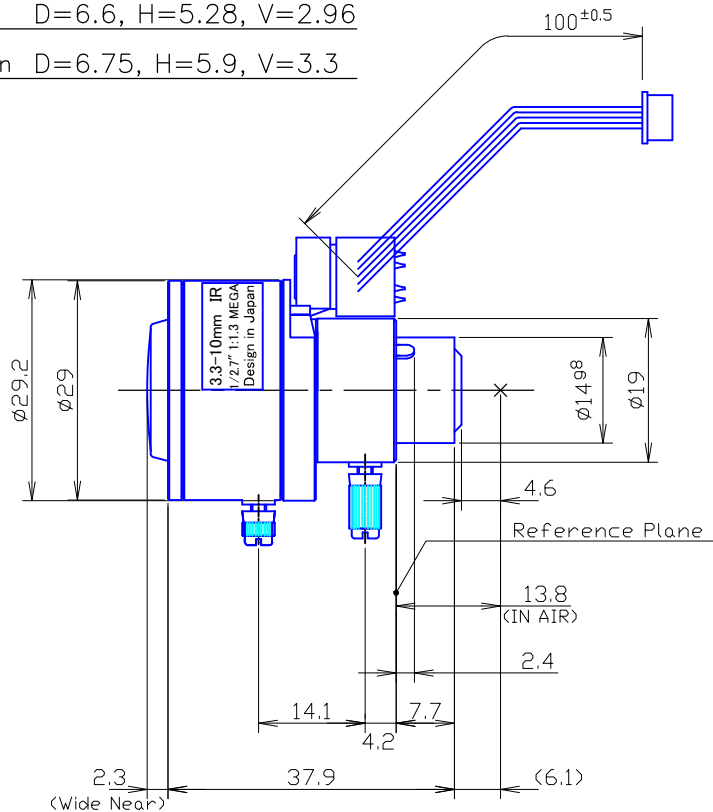
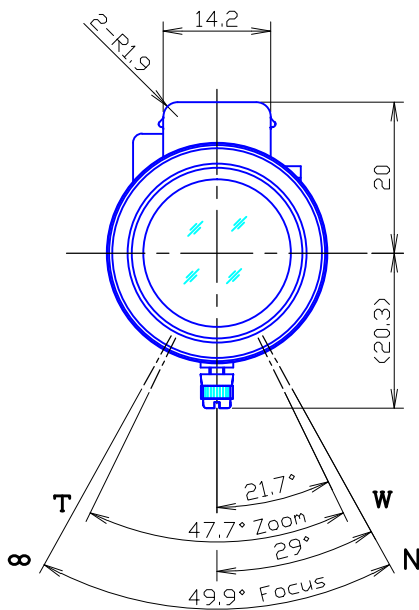
# MSVF3X3313IR3-BCD

Type	AI VARI	Mount	ø14 Straight Mount			
Focal Length	3.3~10.0mm	Back Focus	5.9~12.2mm			
Fno.	F1.3	Flange Back	13.8mm			
Designed Image Format	1/2.7"(ø 6.6)	Exit Pupil	-74.8 ~ -21.4mm			
Operation Range	Iris	F1.3-F360	Filter Size	-		
	Focus	0.5m~ ∞	Aperture	Front	ø 16.4mm	
Zoom	3.3~10.0mm	Rear		ø 6.7mm		
Control	Iris	DC Galvanometer	Dimension	ø29 x 37.9mm		
	Focus	Manual		Weight	25g	
	Zoom	Manual				
Object Size at MOD (500mm)	Wide	684.7x1094.3mm	539.2x1415.2mm			
	Tele	216.0x291.2mm	179.2x327.6mm			
Field of View	D	4:3 128.1°~39.8°	16:9 134.0°~40.7°	FM		
	H	Screen 93.8°~31.8°	Screen 108.1°~35.6°			
	V	(1/2.7) 67.7°~23.9°	(1/2.7) 55.7°~19.9°			
Control	Iris	Focus	Zoom			
Driving Coil/Supply Volt.	190Ω	-	-			
Damping Coil/Current	855Ω	-	-			
IR Cut Filter	-	-	-			
Response Time	-	-	-			
Potentiometer	-	-	-			
Light Measuring Method	-	-	-			
Input Signal	-	-	-			
Iris Accuracy	-	-	-			
Sensitivity Adjustment	-	-	-			
Operating Temperature	-20 ~ +50 degree C			BCD		

## DIMENSIONS

4:3 Screen D=6.6, H=5.28, V=2.96

16:9 Screen D=6.75, H=5.9, V=3.3



## Wiring Diagram

1) 4-pin Connector for Auto Iris  
(Molex : 51021-0400 Single Socket)

Pin No.1	Yellow	Damping(+)
2	Orange	Damping(-)
3	Brown	Driving (+)
4	Red	Driving (-)