

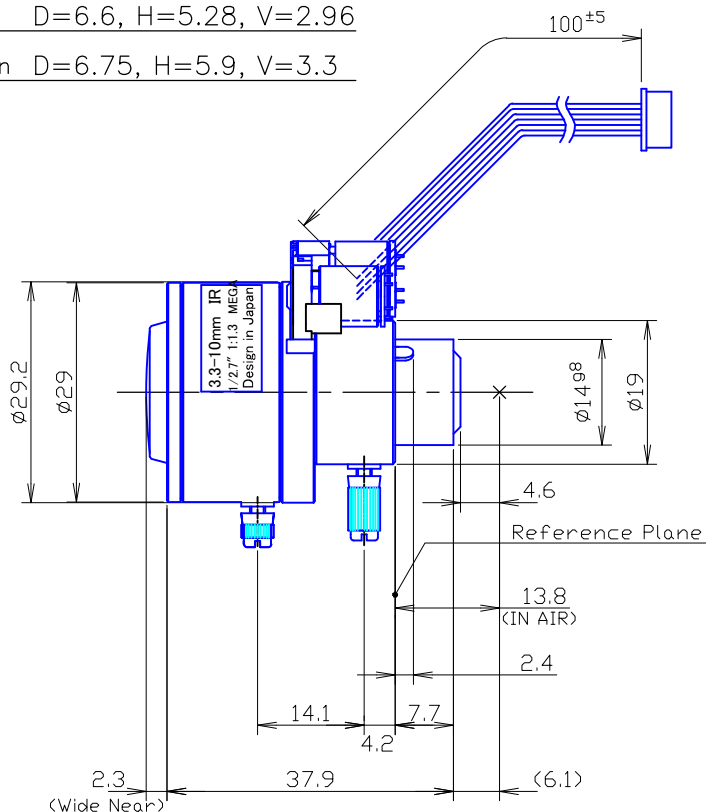
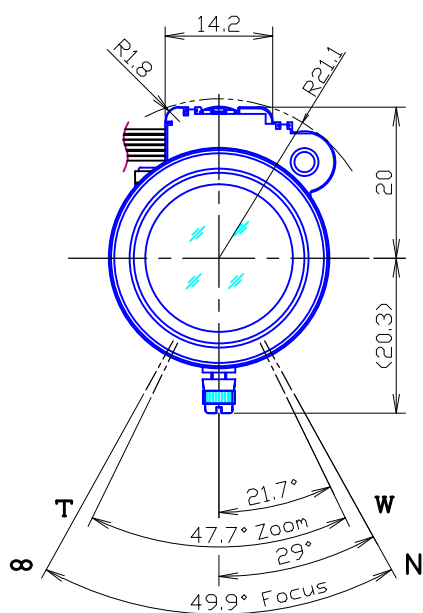
MSVF3X3313IR3-BCDN

Type	AI VARI		Mount	ø14 Straight Mount
Focal Length	3.3~10.0mm		Back Focus	5.9~12.2mm
Fno.	F1.3		Flange Back	13.8mm
Designed Image Format	1/2.7"(ø 6.6)		Exit Pupil	-74.8 ~ -21.4mm
Operation Range	Iris	F1.3-F360	Filter Size	-
	Focus	0.5m~ ∞	Aperture	Front ø 16.4mm
Zoom	3.3~10.0mm	Rear ø 6.7mm		
Control	Iris	DC Galvanometer	Dimension	ø29 x 37.9mm
	Focus	Manual		
	Zoom	Manual		
Object Size at MOD (500mm)	Wide	684.7x1094.3mm	Weight	26g
	Tele	216.0x291.2mm		
Field of View	D	4:3 128.1°~39.8°	16:9 134.0°~40.7°	FM
	H	Screen 93.8°~31.8°	Screen 108.1°~35.6°	
	V	(1/2.7) 67.7°~23.9°	(1/2.7) 55.7°~19.9°	
Control	Iris	Focus	Zoom	
Driving Coil/Supply Volt.	190Ω	-	-	
Damping Coil/Current	855Ω	-	-	
IR Cut Filter	3V ~ 5V	-	-	
Response Time	-	-	-	
Potentiometer	-	-	-	
Light Measuring Method	-	-	-	
Input Signal	-	-	-	
Iris Accuracy	-	-	-	
Sensitivity Adjustment	-	-	-	
Operating Temperature	-20 ~ +50 degree C			BCDN

DIMENSIONS

4:3 Screen D=6.6, H=5.28, V=2.96

16:9 Screen D=6.75, H=5.9, V=3.3



Wiring Diagram

1) 6-pin Connector for Auto Iris
(Molex : 51021-0600 Single Socket)

Pin No.1	Orange	Damping(-) ▶
2	Yellow	Damping(+)
3	Brown	Driving (+)
4	Red	Driving (-)
5	Red	IR +(-)
6	Black	IR GND