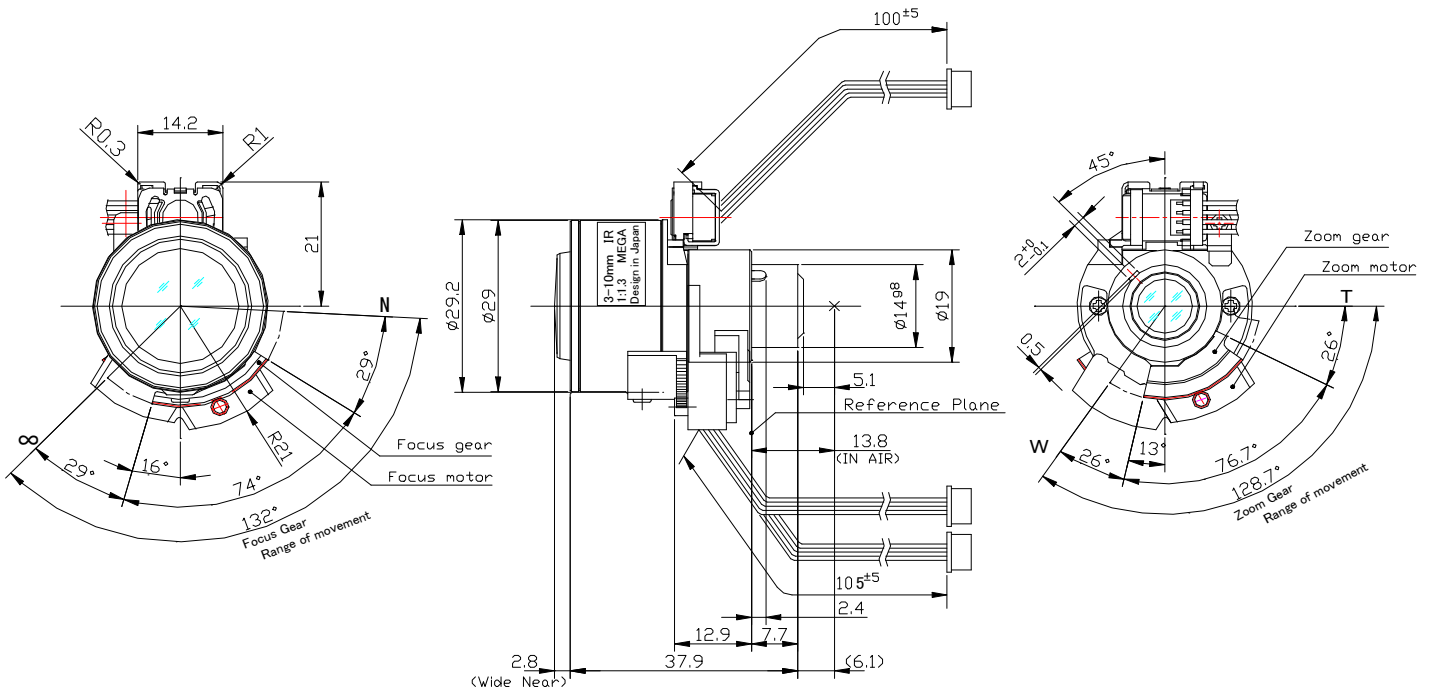


MTVF3.3X0313IR-BCP-MD



Type	AI VARI		Mount	φ 14 Straight Mount	
Focal Length	3.0~10.0mm		Back Focus	5.4~12.3mm	
Fno.	F1.3		Flange Back	13.8mm	
Designed Image Format	1/3"(4.8x3.6mm)		Exit Pupil	-87.6 ~ -21.1mm	
Operation Range	Iris	F1.3-F16-Closed	Filter Size	-	
	Focus	0.5m~∞	Aperture	Front	φ 15.9mm
	Zoom	3.0~10.0mm		Rear	φ 6.5mm
Control	Iris	Mortorized	Dimension		φ 29 x 37.9mm
	Focus	Mortorized			
	Zoom	Mortorized	Weight		22.3g
	ICR	-			
Object Size at MOD	Wide	1123.9x697.7mm			
	Tele	261.5x194.2mm			
Field of View	D	127.2° ~ 36.0°	1/4"	88.2° ~ 27.0°	
	H	95.6° ~ 28.8°		68.8° ~ 21.6°	
	V	68.8° ~ 21.6°		50.6° ~ 16.2°	
Control	Iris	Focus	Zoom		
Motor type	PM type stepping motor	PM type stepping motor	PM type stepping motor		
Operation voltage	2.6V ~ 3.8V	2.8V ~ 3.6V	2.8V ~ 3.6V		
Coil resistance	28.5Ω /phase ±10%	28.5Ω /phase ±7%			
Excite driving method	2phase Bipolar Constant voltage	1-2phase Bipolar Constant voltage	1-2phase Bipolar Constant voltage		
Reduction ratio	-	1/131.574	1/131.574		
Step angle	0.709°	0.171°	0.171°		
Insulation resistance	1MΩ or more	1MΩ or more	1MΩ or more		
Light Measuring Method	-				
Input Signal	-				
Iris Accuracy	-				
Sensitivity Adjustment	-				
Operating Temperature	-10 ~ +50 °C				

DIMENSIONS



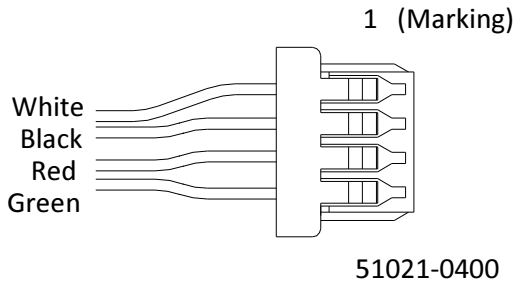
Subject to change without notice

MTVF3.3X0313IR-BCP-MD



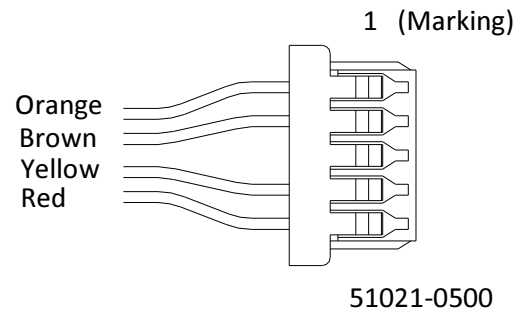
CONNECTION & CONTROL

(1) Auto Iris terminal



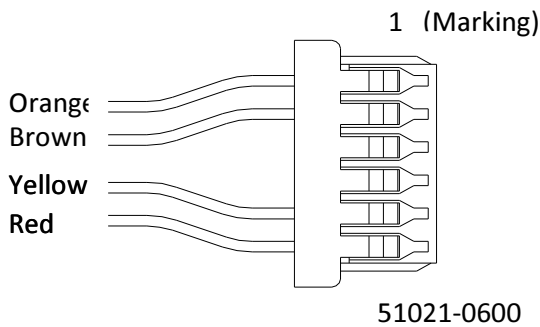
Pin number	Color	Assignment
1	White	\bar{A}
2	Black	B
3	Red	A
4	Green	\bar{B}

(2) Zoom Moter Control terminal



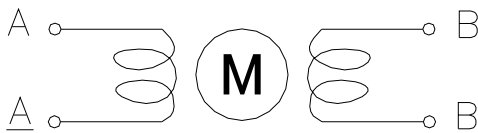
Pin number	Color	Assignment
1	Orange	B
2	Brown	A
3	N/A	N/A
4	Yellow	\bar{B}
5	Red	\bar{A}

(3) Focus Moter Control terminal



Pin number	Color	Assignment
1	Orange	B
2	Brown	A
3	N/A	N/A
4	N/A	N/A
5	Yellow	\bar{B}
6	Red	\bar{A}

(4) Moter Control Excitation pattern



Motor connection

Iris CW: Open → Close

Excite Pottem of CW revolution				
Step	A	\bar{A}	B	\bar{B}
0	H	L	H	L
1	L	H	H	L
2	L	H	L	H
3	H	L	L	H

Focus & Zoom

Excite Pottem of CW revolution				
Step	A	\bar{A}	B	\bar{B}
0	H	L	H	L
1	L	L	H	L
2	L	H	H	L
3	L	H	L	L
4	L	H	L	H
5	L	L	L	H
6	H	L	L	H
7	H	L	L	L