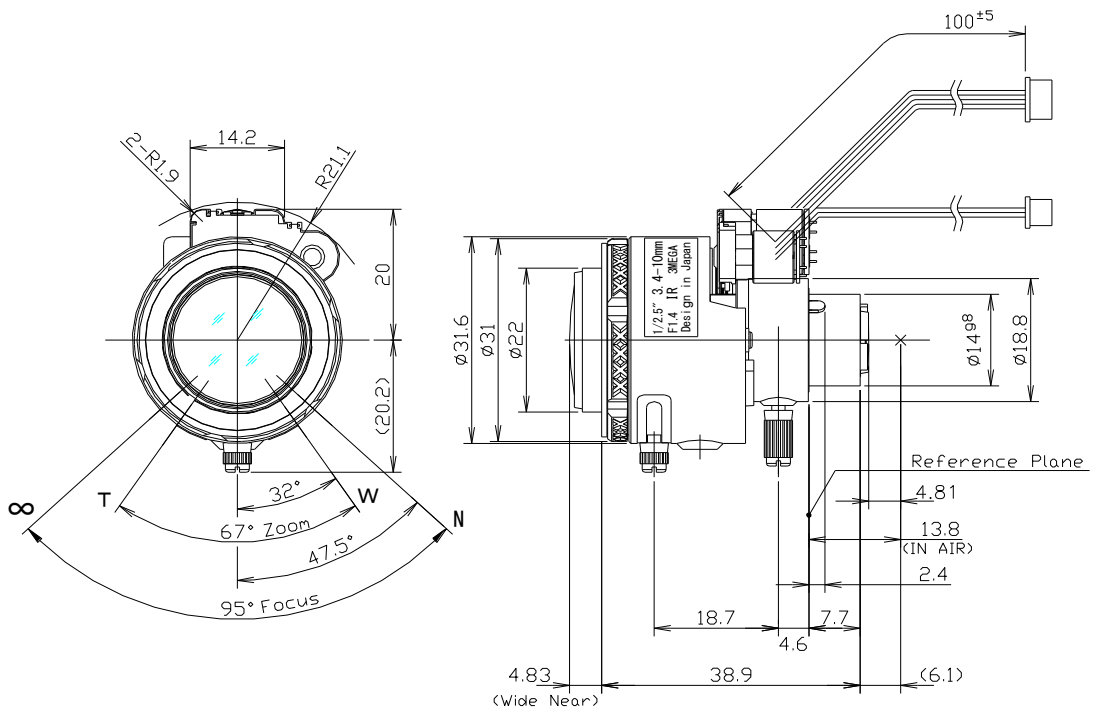


# MFVF3X3414IR-BCDN



Type	AI VARI		Mount	φ 14 Straight Mount
Focal Length	3.4~10.0mm		Back Focus	5.11~11.88mm
Fno.	F1.4		Flange Back	13.8mm
Designed Image Format	1/2.5" (φ 7.2)		Exit Pupil	-70.2~-10.8mm
Operation Range	Iris	F1.4-F360	Filter Size	-
	Focus	0.5m~∞	Aperture	Front φ 18.8mm
	Zoom	3.4~10.0mm		Rear φ 7.8mm
Control	Iris	DC Galvanometer	Dimension	φ 31.6 x 38.9mm
	Focus	Manual Control		
	Zoom	Manual Control		
	ICR	DC Galvanometer		
Object Size at MOD	Wide	785X1298mm	606X1675mm	
	Tele	240X325mm	197X363mm	
Field of View	D	4:3 136° ~44°	16:9 139° ~45°	
	H	Screen 104° ~35°	Screen 117° ~39°	
	V	75° ~27°	61° ~22°	
Control	Iris	IR cut filter		
Motor type	Galvanometer	Galvanometer		
Operation voltage	3V ~ 5.0V	3V ~ 5.0V		
Driving Coil resistance	190Ω /phase ±10%	190Ω /phase ±10%		
Damping Coil resistance	855Ω /phase ±10%	-		
Excite driving method	-	-		
Reduction ratio	-	-		
Step angle	-	-		
Insulation resistance	1MΩ or more	1MΩ or more		
Light Measuring Method	-			
Input Signal	-			
Iris Accuracy	-			
Sensitivity Adjustment	-			
Operating Temperature	-20 ~+50 °C			

## DIMENSIONS



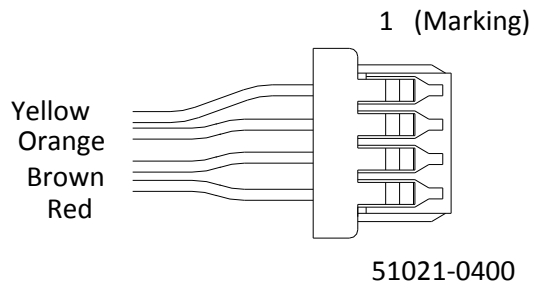
Subject to change without notice

# MFVF3X3414IR-BCDN



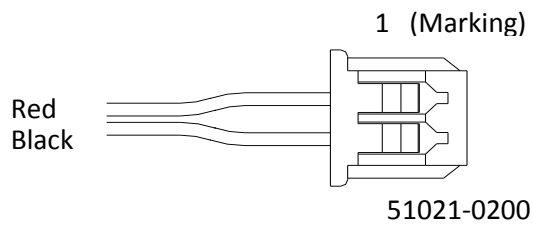
## CONNECTION & CONTROL

(1) Auto Iris terminal



Pin number	Color	Assignment
1	Yellow	Damping(+)
2	Orange	Damping(-)
3	Brown	Driving (+)
4	Red	Driving (-)

(2) IR Cut Filter Control terminal



Pin number	Color	Assignment
1	Red	IR IN/OUT(-/+)
2	Black	IR GND