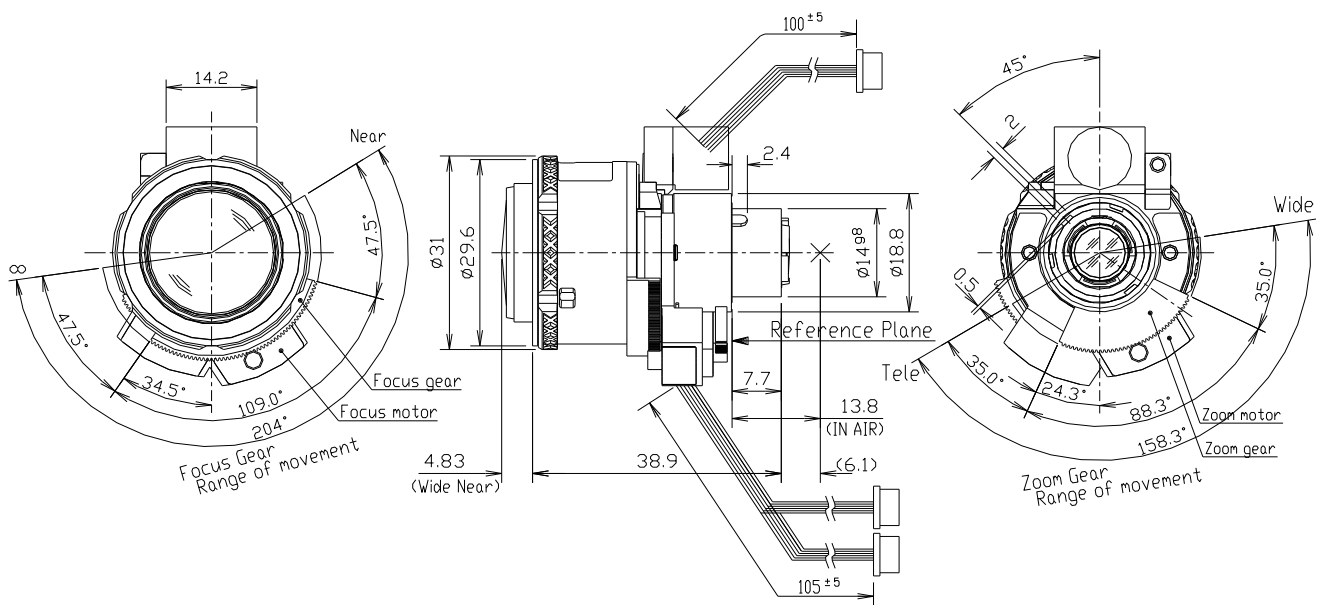


MSVF3.3X0313IR-BCD-MD



Type		AI VARI	Mount	φ 14 Straight Mount
Focal Length		3.0~10.0mm	Back Focus	4.81~11.88mm
Fno.		F1.3	Flange Back	13.8mm
Designed Image Format		1/2.7"(φ 6.75)	Exit Pupil	-90.3 ~ -10.8mm
Operation Range	Iris	F1.3-F360	Filter Size	-
	Focus	0.5m~∞	Aperture	Front φ 18.8mm
	Zoom	3.0~10.0mm		Rear φ 7.8mm
Control	Iris	DC Galvanometer	Dimension	φ 31.6 x 38.9mm
	Focus	Mortorized		
	Zoom	Mortorized		
	ICR	-		
Object Size at MOD	Wide	779X1288mm	601X1662mm	
	Tele	219X296mm	181X330mm	
Field of View	D	4:3 136° ~ 40°	16:9 139° ~ 41°	
	H	Screen 104° ~ 32°	Screen 117° ~ 36°	
	V	75° ~ 24°	61° ~ 20°	
Control	Iris	Focus	Zoom	
Motor type	Galvanometer	PM type stepping motor	PM type stepping motor	
Operation voltage	3.0V ~ 5.0V	2.8V ~ 3.6V	2.8V ~ 3.6V	
Driving Coil resistance	190Ω /phase ±10%	28.5Ω /phase ±7%		
Damping Coil resistance	855Ω /phase ±10%	-	-	
Excite driving method	-	1-2phase Bipolar Constant voltage	1-2phase Bipolar Constant voltage	
Reduction ratio	-	1/131.574	1/131.574	
Step angle	-	0.171°	0.171°	
Insulation resistance	1MΩ or more	1MΩ or more	1MΩ or more	
Light Measuring Method	-			
Input Signal	-			
Iris Accuracy	-			
Sensitivity Adjustment	-			
Operating Temperature	-10 ~ +50 °C			

DIMENSIONS



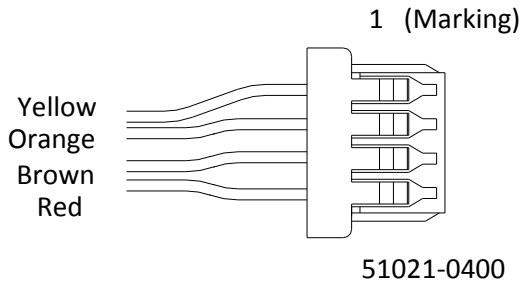
Subject to change without notice

MSVF3.3X0313IR-BCD-MD



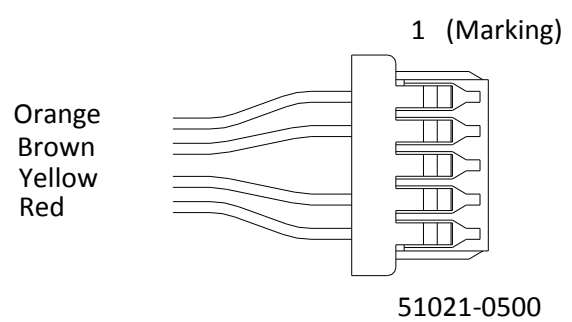
CONNECTION & CONTROL

(1) Auto Iris terminal



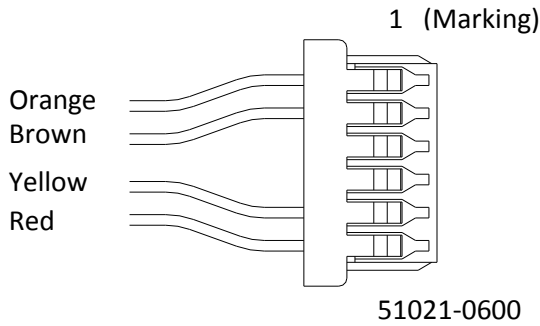
Pin number	Color	Assignment
1	Yellow	Damping(+)
2	Orange	Damping(-)
3	Brown	Driving (+)
4	Red	Driving (-)

(2) Zoom Moter Control terminal



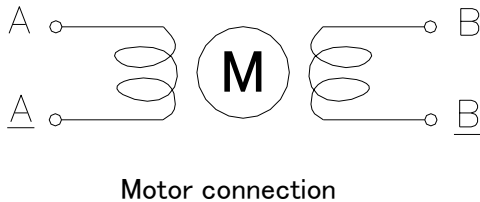
Pin number	Color	Assignment
1	Orange	B
2	Brown	A
3	N/A	N/A
4	Yellow	\bar{B}
5	Red	\bar{A}

(3) Focus Moter Control terminal



Pin number	Color	Assignment
1	Orange	B
2	Brown	A
3	N/A	N/A
4	N/A	N/A
5	Yellow	\bar{B}
6	Red	\bar{A}

(4) Moter Control Excitation pattern



Focus & Zoom

Excite Pottem of CW revolution				
Step	A	\bar{A}	B	\bar{B}
0	H	L	H	L
1	L	L	H	L
2	L	H	H	L
3	L	H	L	L
4	L	H	L	H
5	L	L	L	H
6	H	L	L	H
7	H	L	L	L