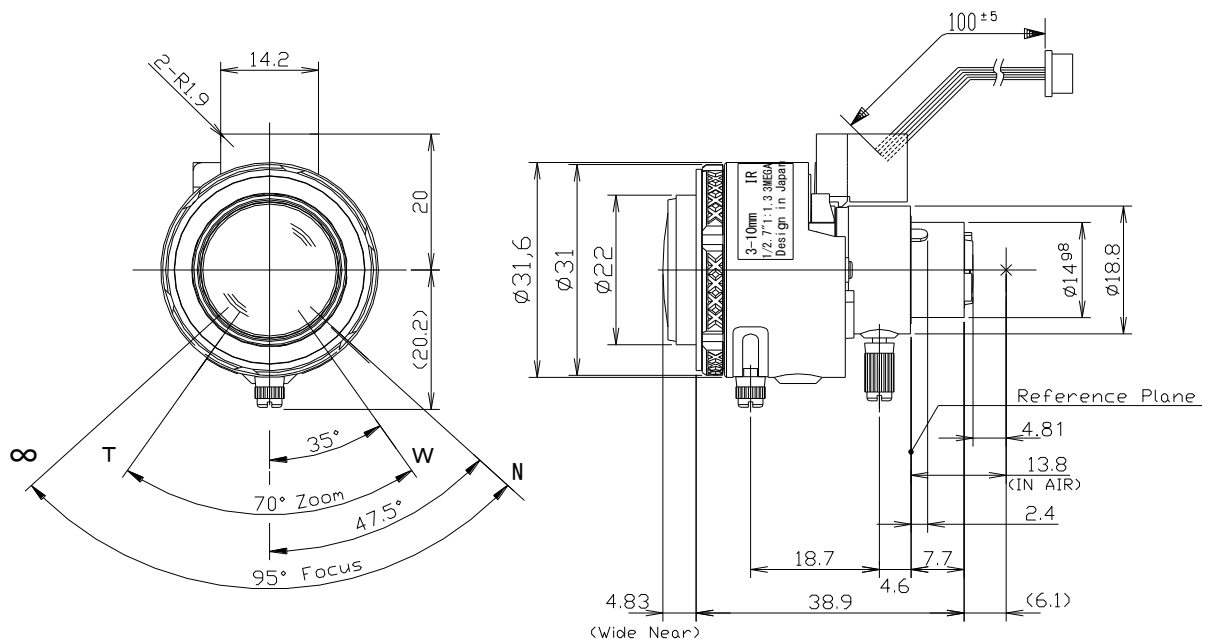


# MSVF3.3X0313IR-BCD



Type	AI VARI		Mount	φ 14 Straight Mount
Focal Length	3.0~10.0mm		Back Focus	4.81~11.88mm
Fno.	F1.3		Flange Back	13.8mm
Designed Image Format	1/2.7"(φ 6.75)		Exit Pupil	-90.3~-10.8mm
Operation Range	Iris	F1.3-F360	Filter Size	-
	Focus	0.5m~∞	Aperture	Front φ 18.8mm
	Zoom	3.0~10.0mm		Rear φ 7.8mm
Control	Iris	DC Galvanometer	Dimension	φ 31.6 x 38.9mm
	Focus	Manual Control		
	Zoom	Manual Control		
	ICR	-		
Object Size at MOD	Wide	779X1288mm	601X1662mm	
	Tele	219X296mm	181X330mm	
Field of View	D	4:3 136° ~40°	16:9 139° ~41°	
	H	Screen 104° ~32°	Screen 117° ~36°	
	V	75° ~24°	61° ~20°	
Control	Iris			
Motor type	Galvanometer			
Operation voltage	3V ~ 5.0V			
Driving Coil resistance	190Ω /phase ±10%			
Damping Coil resistance	855Ω /phase ±10%			
Excite driving method	-			
Reduction ratio	-			
Step angle	-			
Insulation resistance	1MΩ or more			
Light Measuring Method	-			
Input Signal	-			
Iris Accuracy	-			
Sensitivity Adjustment	-			
Operating Temperature	-20 ~+50 °C			

## DIMENSIONS



Subject to change without notice

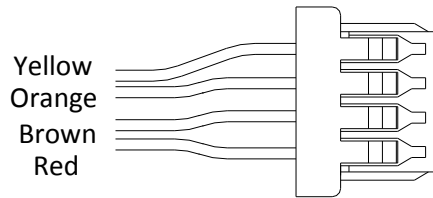
# MSVF3.3X0313IR-BCD



## CONNECTION & CONTROL

Auto Iris terminal

1 (Marking)



Pin number	Color	Assignment
1	Yellow	Damping(+)
2	Orange	Damping(-)
3	Brown	Driving (+)
4	Red	Driving (-)

51021-0400