

SVF3X3313IR-BCD

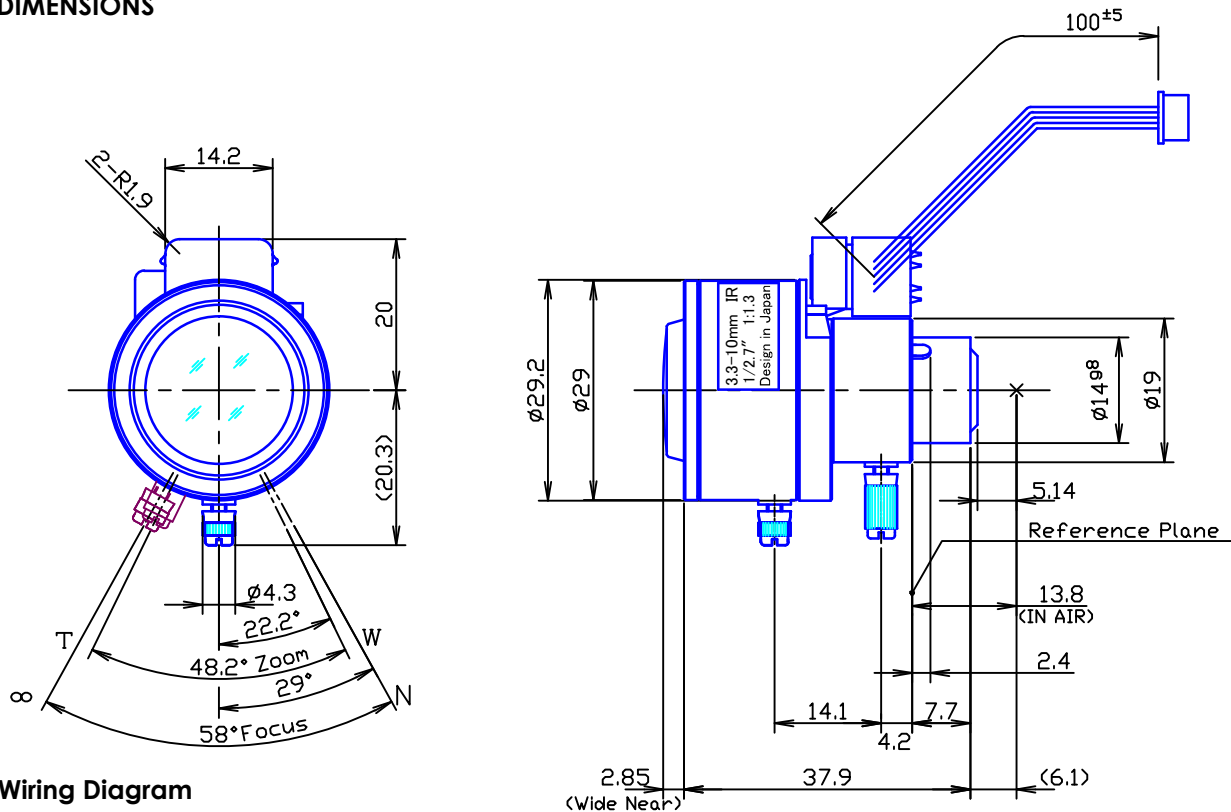
Type	AI VARI		Mount	ø14 Straight Mount		
Focal Length	3.3~10.0mm		Back Focus	5.7~12.3mm		
Fno.	F1.3		Flange Back	13.8mm		
Designed Image Format	1/2.7"(ø 6.75)		Exit Pupil	-103.3 ~ -21.5mm		
Operation Range	Iris	F1.3-F360		Filter Size	-	
	Focus	0.5m~ ∞		Aperture	Front	ø15.9mm
	Zoom	3.3~10.0mm			Rear	ø6.6mm
Control	Iris	DC Galvanometer		Dimension	ø29 x 37.9mm	
	Focus	Manual				
	Zoom	Manual				Weight
Object Size at MOD	Wide	687.3x1090.5mm		543.0x1373.2mm		
	Tele	214.4x289.3mm		178.4x324.4mm		
Field of View	D	4:3 Screen	123.3°~39.6°	16:9 Screen	127.1°~40.5°	
	H		93.7°~31.6°		107.0°~35.4°	
	V		67.9°~23.7°		55.9°~19.8°	
Control	Iris		Focus		Zoom	
Driving Coil/Supply Volt.	190Ω		-		-	
Damping Coil/Current	855Ω		-		-	
Response Time	-		-		-	
Potentiometer	-		-		-	
Light Measuring Method	-		-		-	
Input Signal	-		-		-	
Iris Accuracy	-		-		-	
Sensitivity Adjustment	-		-		-	
Operating Temperature	-20 ~ +50 degree C		-		-	

1/2.7"

FM

BCD

DIMENSIONS



Wiring Diagram

1) 4-pin Connector for Auto Iris
(Molex : 51021-0400 Single Socket)

Pin No.1	Yellow	Damping(+)
2	Orange	Damping(-)
3	Brown	Driving (+)
4	Red	Driving (-)