

# SVF3X3313IR-BCDN

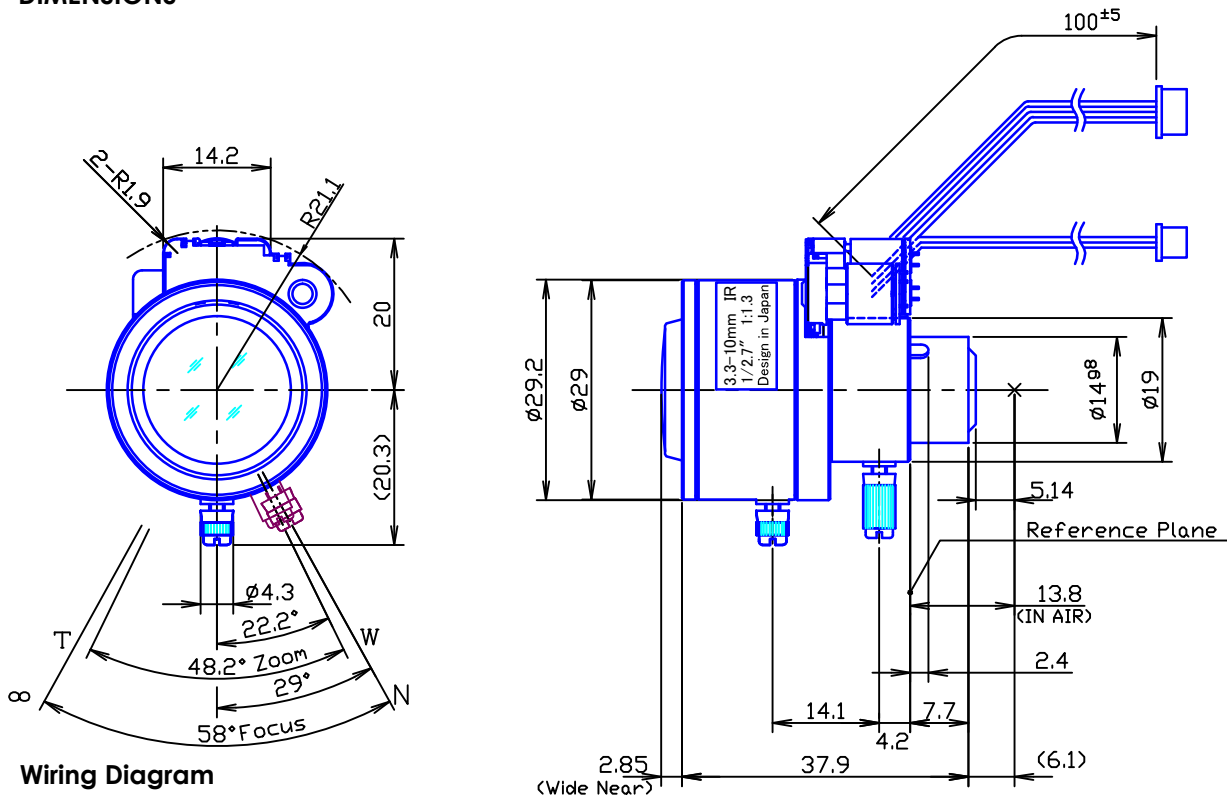
Type	AI VARI		Mount	ø14 Straight Mount		
Focal Length	3.3~10.0mm		Back Focus	5.7~12.3mm		
Fno.	F1.3		Flange Back	13.8mm		
Designed Image Format	1/2.7"(ø 6.75)		Exit Pupil	-103.3 ~ -21.5mm		
Operation Range	Iris	F1.3-F360	Filter Size	-		
	Focus	0.5m~ ∞	Aperture	Front	ø15.9mm	
	Zoom	3.3~10.0mm		Rear	ø6.6mm	
Control	Iris	DC Galvanometer	Dimension	ø29 x 37.9mm		
	Focus	Manual		Weight	31g	
	Zoom	Manual				
Object Size at MOD	Wide	687.3x1090.5mm	543.0x1373.2mm			
	Tele	214.4x289.3mm	178.4x324.4mm			
Field of View	D	4:3 123.3°~39.6°	16:9 Screen	127.1°~40.5°		
	H	Screen 93.7°~31.6°		107.0°~35.4°		
	V	67.9°~23.7°		55.9°~19.8°		
Control	Iris		Focus	Zoom		
Driving Coil/Supply Volt.	190Ω		-	-		
Damping Coil/Current	855Ω		-	-		
IR Cut Filter	3V ~ 5V		-	-		
Response Time	-		-	-		
Potentiometer	-		-	-		
Light Measuring Method	-		-	-		
Input Signal	-		-	-		
Iris Accuracy	-		-	-		
Sensitivity Adjustment	-		-	-		
Operating Temperature	-20 ~ +50 degree C		-	-		

1/2.7"

FM

BCDN

## DIMENSIONS



## Wiring Diagram

1) 4-pin Connector for Auto Iris  
(Molex : 51021-0400 Single Socket)

Pin No.1	Yellow	Damping(+)	▶
2	Orange	Damping(-)	
3	Brown	Driving (+)	
4	Red	Driving (-)	

2) 2-pin Connector for IR Cut Filter  
(Molex : 51021-0200 Single Socket)

Pin No.1	Red	IR IN/OUT(+)	▶
2	Black	IR GND	