

TVF3.6X2812IR-BCD

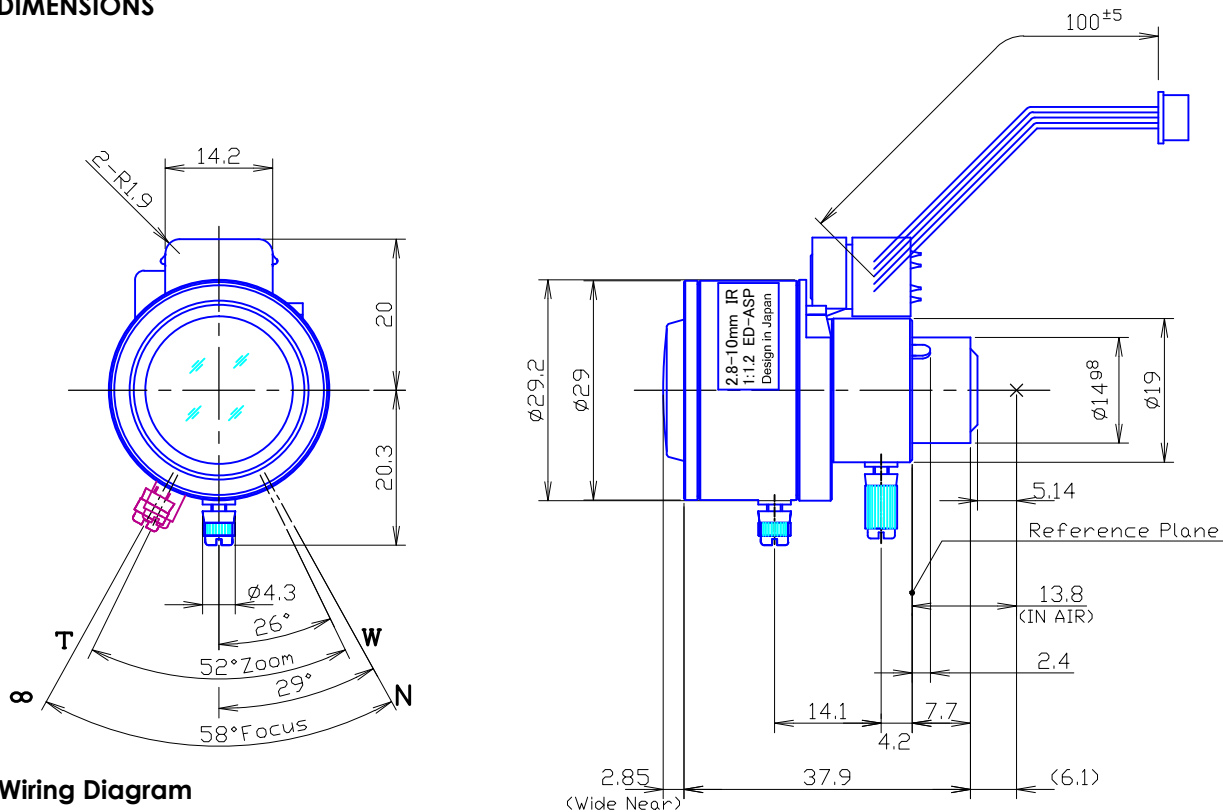
Type	AI VARI		Mount	ø14 Straight Mount		
Focal Length	2.8~10.0mm		Back Focus	5.4~12.3mm		
Fno.	F1.2		Flange Back	13.8mm		
Designed Image Format	1/3"(4.8x3.6mm)		Exit Pupil	-103.3 ~ -21.5mm		
Operation Range	Iris	F1.2-F360	Filter Size	-		
	Focus	0.5m~ ∞	Aperture	Front	ø15.9mm	
	Zoom	2.8~10.0mm		Rear	ø6.6mm	
Control	Iris	DC Galvanometer	Dimension	ø29 x 37.9mm		
	Focus	Manual		Weight	26g	
	Zoom	Manual				
Object Size at MOD	Wide	692.5x1106.4mm				
	Tele	194.4x261.8mm				
Field of View	D	1/3" $\frac{131.5^\circ \sim 36.0^\circ}{98.8^\circ \sim 28.8^\circ}$	1/4" $\frac{91.6^\circ \sim 27.0^\circ}{71.1^\circ \sim 21.6^\circ}$			
	H					
	V					
Control	Iris		Focus			
Driving Coil/Supply Volt.	190Ω		-			
Damping Coil/Current	855Ω		-			
Response Time	-		-			
Potentiometer	-		-			
Light Measuring Method	-		-			
Input Signal	-		-			
Iris Accuracy	-		-			
Sensitivity Adjustment	-		-			
Operating Temperature	-20 ~ +50 degree C		-			

1/3"

FM

BCD

DIMENSIONS



Wiring Diagram

1) 4-pin Connector for Auto Iris
(Molex : 51021-0400 Single Socket)

Pin No.1	Yellow	Damping(+)
2	Orange	Damping(-)
3	Brown	Driving (+)
4	Red	Driving (-)