

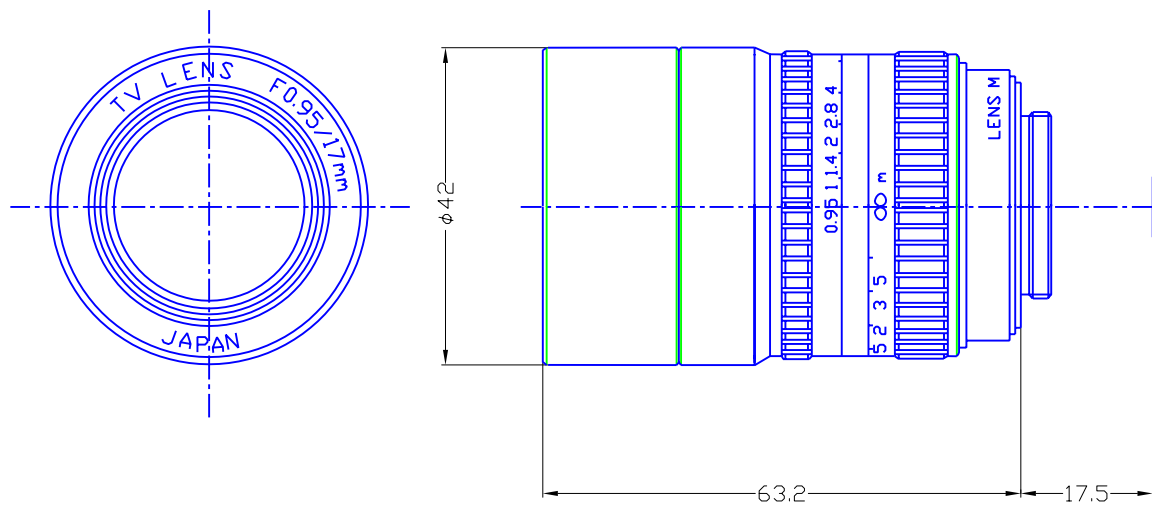
MFA1795H

Type	MANUAL MONO		Mount	C	
Focal Length	17.0mm		Back Focus	13.89mm	
Fno.	F0.95		Mechanical Bf	13.5mm	
Designed Image Format	2/3"(6.6x8.8mm)		Exit Pupil	-52.56mm	
Operation Range	Iris	F0.95-16	Filter Size	M40.5 P=0.5	
	Focus	0.5m ~ ∞	Aperture	Front	∅27.0mm
	Zoom	-		Rear	∅17.5mm
Control	Iris	Manual	Front Nodal Point	38.65mm	
	Focus	Manual	Second Nodal Point	-3.24mm	
	Zoom	-	FNP SNP Distance	13.89mm	
Object Size at MOD	2/3"	250mm x 187mm	Optical over all length	59.79mm	
	1/2"	182mm x 136mm	Entrance Pupil Position	26.31mm	
	1/3"	136mm x 102mm	Dimension	∅42x63.2mm	
	1/4"	102mm x 77mm	Weight	165g	
Magnification at Minimum Object Distance			-0.038		
Field of View	D	35.9°	1/2"	26.5°	20.0°
	H	29.0°	1/2"	21.3°	16.1°
	V	22.0°	1/2"	16.1°	12.1°
Operating Temperature	-10°C ~ +50°C				

2/3"

C

DIMENSIONS



CM