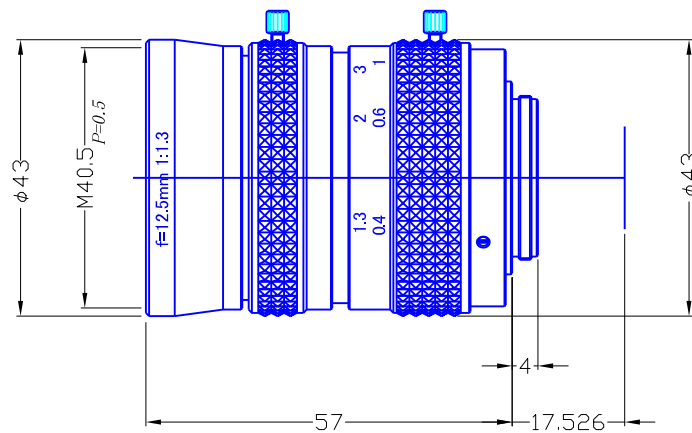
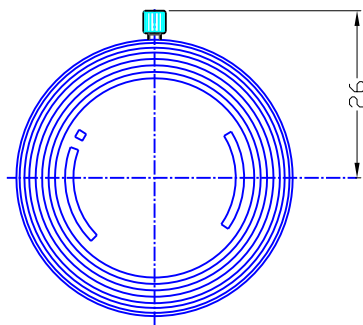


# VFA1213-CM1S

|                       |                |                |               |            |         |        |
|-----------------------|----------------|----------------|---------------|------------|---------|--------|
| Type                  | MANUAL MONO    |                | Mount         | C          |         |        |
| Focal Length          | 12.5mm         |                | Back Focus    | 16.36mm    |         |        |
| Fno.                  | F1.3           |                | Mechanical Bf | 13.5mm     |         |        |
| Designed Image Format | 1"(9.6x12.8mm) |                | Exit Pupil    | -59.29mm   |         |        |
| Operation Range       | Iris           | F1.3-16(CLOSE) | Filter Size   | -          |         |        |
|                       | Focus          | 0.23m ~ ∞      | Aperture      | Front      | ∅30.6mm |        |
|                       | Zoom           | -              |               | Rear       | ∅18.0mm |        |
| Control               | Iris           | Manual         | TV Distortion | -0.92%     |         |        |
|                       | Focus          | Manual         |               | Vignetting | -61.6%  |        |
|                       | Zoom           | -              |               |            | -       |        |
| Object Size at MOD    | 187 x251mm     |                | Dimension     | ∅43x57mm   |         |        |
|                       | -              |                | Weight        | g          |         |        |
| Field of View         | V              | 41.9°          | 30.00°        | 22.00°     |         |        |
|                       | H              | 54.5°          | 2/3"          | 39.60°     | 1/2"    | 30.04° |
|                       | D              | 65.4°          |               | 48.80°     |         | 36.01° |
| Operating Temperature | -10°C ~ +50°C  |                |               |            |         |        |

## DIMENSIONS



## MAGNIFICATION

|                      |                                  |                                 |
|----------------------|----------------------------------|---------------------------------|
| ( ) : 14" MONITOR TV | O/l = 3000mm : -0.0042X (0.093X) | O/l = 500mm : -0.0280X (0.622X) |
|                      | O/l = 1000mm : -0.0132X (0.293X) | O/l = 400mm : -0.0362X (0.805X) |
|                      | O/l = 600mm : -0.0229X (0.508X)  | O/l = 300mm : -0.0511X (1.135X) |