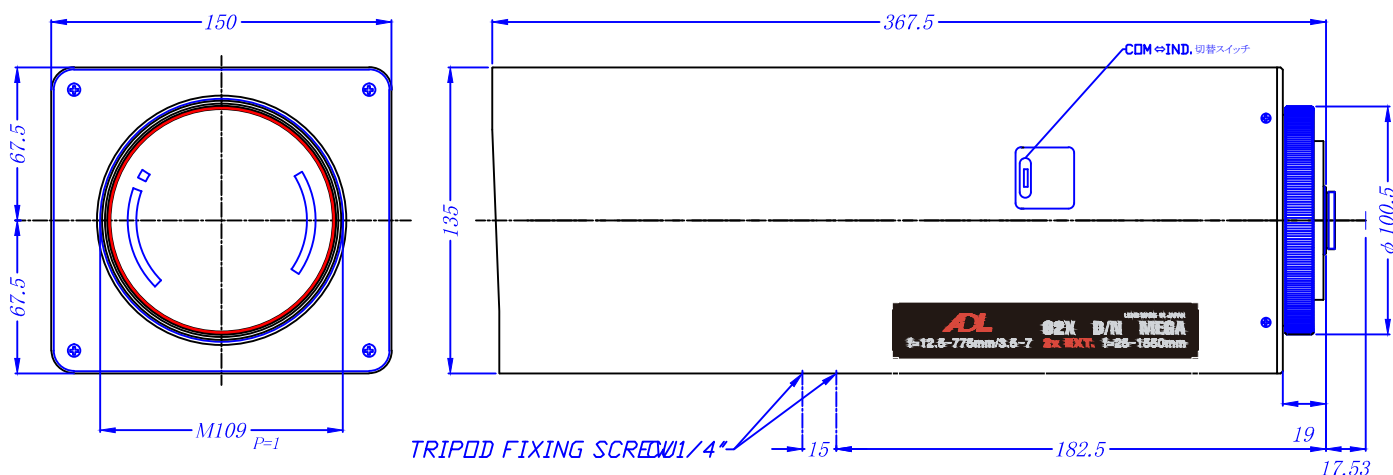


HZ62X1235DPXFIR

Type	AI ZOOM		Mount	C	1/2"	
Focal Length	12.5~1550mm		Back Focus	42.29mm		
Fno.	F3.5		Mechanical Bf	17.53mm		
Designed Image Format	1/2"(4.8x6.4mm)		Exit Pupil	-167.31mm		
Operation Range	Iris	F3.5-CLOSE		Filter Size	M109 P=1	
	Focus	5.0m ~ infinity		Aperture	Front	φ -
Zoom	12.5~1550mm		Rear		φ -	
Control	Iris	DC Galvanometer		Dimension	135x150x367.5mm	
	Focus	DC Motor				
	Zoom	DC Motor				Weight
Object Size at MOD	Wide	2454.0x 1842.0mm		C		
	Tele	39.4x 29.6mm				
Field of View	D	-		1/3"	-	
	H	1/2"	28.8°~0.24°			21.8°~0.18°
	V		21.8°~0.18°			16.4°~0.13°
Control	Iris		Focus		Zoom	
Driving Coil/Supply Volt.	190Ω		DC 6-12V		DC 6-12V	
Damping Coil/Current	1000Ω		60mA or less		60mA or less	
Response Time	about 2 sec.		about 8 sec.		about 8 sec.	
Potentiometer	-		-		-	
Light Measuring Method	-		-		-	
Input Signal	-		-		-	
Iris Accuracy	-		-		-	
Sensitivity Adjustment	-		-		-	
Operating Temperature	-10 ~ +50 degree C		DP			

DIMENSIONS

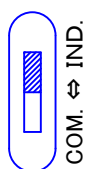


CABLE CONNECTION

IRIS

4 - PIN PLUG

- ① (-) DAMPING COIL
- ② (+) DAMPING COIL
- ③ (+) DRIVING COIL
- ④ (-) DRIVING COIL



コントロールモード
COM⇄IND.切替スイッチ
(出荷時はIND.にしてあります)

DRIVE

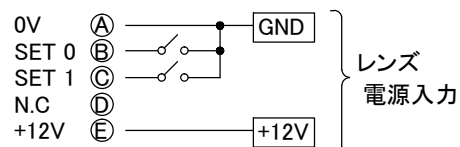
HDAB-15P(HIROSE)

- | | | |
|-------|----------|----------|
| | IND | COM |
| FOCUS | ① + FAR | ① + FAR |
| | ② - | - NEAR |
| ZOOM | ③ + WIDE | ② N.C. |
| | ④ - | ③ + WIDE |
| | | - TELE |
| | | ④ COM |

- | | |
|----------|----------------|
| POTENTIO | ⑩ LENS POT.(+) |
| -METER | ⑪ F.POT WIP |
| | ⑫ Z.POT WIP |
| | ⑬ LENS POT.(-) |
| EXTENDER | ⑭ - |
| | ⑮ + 2X |

FILTER

R05-R5M(TAJIMI)



近赤外波長選択

SET 0	SET 1	フィルター
OFF	OFF	可視光
ON	OFF	850nm
OFF	ON	880nm
ON	ON	950nm

(接点定格 30V 0.1A 以上を使用して下さい)