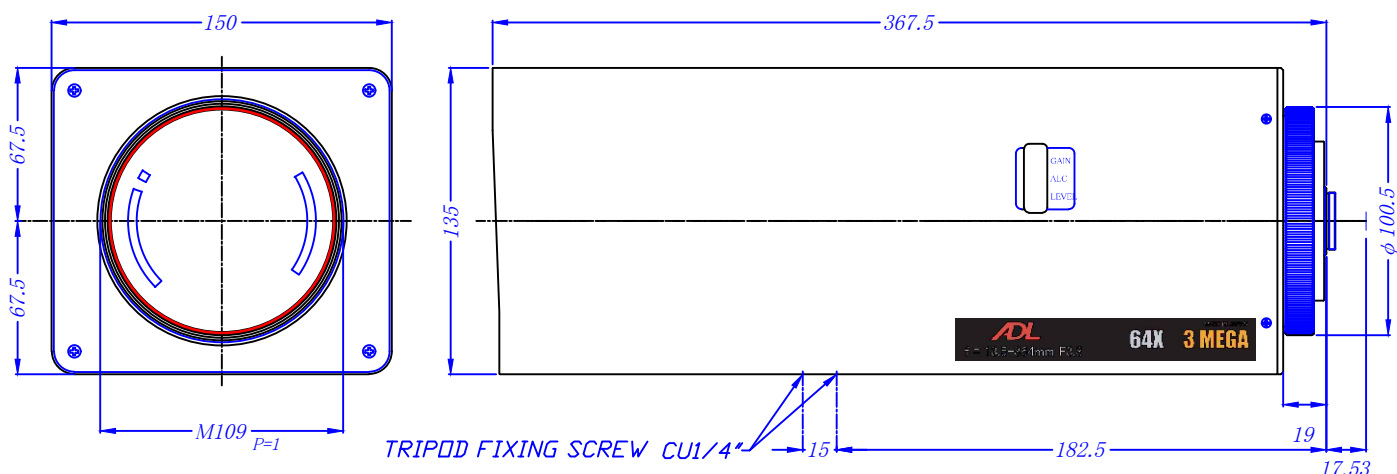


HZ64X1338DP

Type	AI ZOOM	Mount	C	1/1.8"	
Focal Length	13.5~864mm	Back Focus	31.28mm		
Fno.	F3.8	Mechanical Bf	17.53mm		
Designed Image Format	1/1.8"(7.0x5.3mm)	Exit Pupil	-74.11mm		
Operation Range	Iris	F3.8-CLOSE	Filter Size	M109 P=1	
	Focus	5.0m ~ infinity	Aperture	Front	∅ -
	Zoom	13.5~864mm		Rear	∅ -
Control	Iris	DC Galvanometer	Dimension	135x150x367.5mm	
	Focus	DC Motor			
	Zoom	DC Motor			
Object Size at MOD	Wide	2454.0x 1842.0mm			
	Tele	39.4x 29.6mm			
Field of View	D	-	1/3"	-	
	H	1/1.8" 28.4~0.47°			
	V	21.3~0.35°			
Control	Iris	Focus	Zoom		
Driving Coil/Supply Volt.	190Ω	DC 6-12V	DC 6-12V		
Damping Coil/Current	1000Ω	60mA or less	60mA or less		
Response Time	about 2 sec.	about 8 sec.	about 8 sec.		
Potentiometer	-	-	-		
Light Measuring Method	-				
Input Signal	-				
Iris Accuracy	-				
Sensitivity Adjustment	-				
Operating Temperature	-10 ~ +50 degree C				DP

DIMENSIONS



CABLE CONNECTION

IRIS

4 - PIN PLUG

- ① (-) DAMPING COIL
- ② (+) DAMPING COIL
- ③ (+) DRIVING COIL
- ④ (-) DRIVING COIL

DRIVE CTRL

HDAB-15P(HIROSE)

- FOCUS { ① + FAR
- ② -
- ZOOM { ③ + WIDE
- ④ -
- POTENTIO { ⑧ F.POT.(-)
- METER { ⑨ Z.POT WIP
- ⑩ F.POT WIP
- ⑪ F.POT(+)
- ⑫ Z.POT(+)
- ⑬ Z.POT(-)