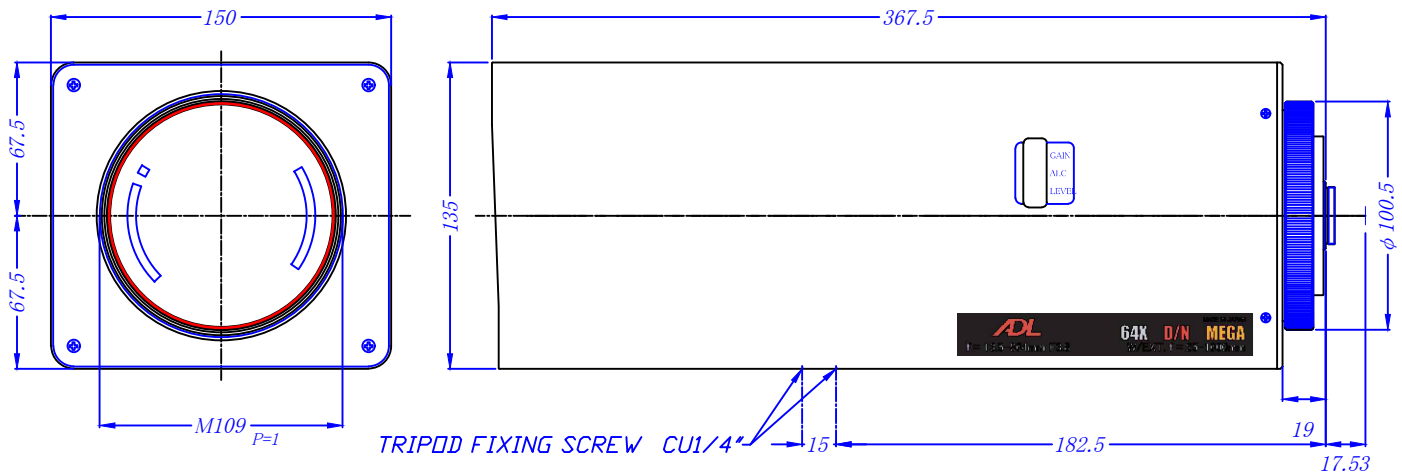


HZ64X1338DPXFIR

Type	AI ZOOM	Mount	C	1/1.8"			
Focal Length	13.5~1600mm	Back Focus	31.28mm				
Fno.	F3.8	Mechanical Bf	17.53mm				
Designed Image Format	1/1.8"(7.0x5.3mm)	Exit Pupil	-74.11mm				
Operation Range	Iris	F3.8-CLOSE	Filter Size	M109 P=1			
	Focus	5.0m ~ infinity	Aperture	Front	∅ -		
	Zoom	13.5~1600mm		Rear	∅ -		
Control	Iris	DC Galvanometer	Dimension	135x150x367.5mm	C		
	Focus	DC Motor				Weight	5950 g
	Zoom	DC Motor					
Object Size at MOD	Wide	2454.0x 1842.0mm					
	Tele	39.4x 29.6mm					
Field of View	D	-	-				
	H	1/1.8" 28.4~0.23°	1/3" 19.3~0.17°				
	V	21.3~0.35°	14.5~0.24°				
Control	Iris	Focus	Zoom				
Driving Coil/Supply Volt.	190Ω	DC 6-12V	DC 6-12V				
Damping Coil/Current	1000Ω	60mA or less	60mA or less				
Response Time	about 2 sec.	about 8 sec.	about 8 sec.				
Potentiometer	-	-	-				
Light Measuring Method							
Input Signal							
Iris Accuracy							
Sensitivity Adjustment							
Operating Temperature	-10 ~ +50 degree C				DP		

DIMENSIONS



CABLE CONNECTION

IRIS

4 - PIN PLUG

- ① (-) DAMPING COIL
- ② (+) DAMPING COIL
- ③ (+) DRIVING COIL
- ④ (-) DRIVING COIL

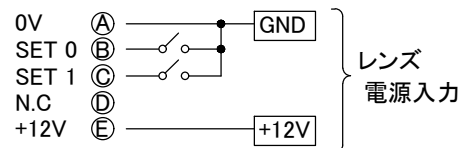
DRIVE

HDAB-15P(HIROSE)

- FOCUS { ① + FAR
② -
- ZOOM { ③ + WIDE
④ -
- POTENTIO
-METER { ⑩ LENS POT.(+)
⑪ F.POT WIP
⑫ Z.POT WIP
⑬ LENS POT.(-)
- EXTENDER { ⑭ -
⑮ + 2X

FILTER

R05-R5M(TAJIMI)



近赤外波長選択

SET 0	SET 1	フィルター
OFF	OFF	可視光
ON	OFF	850nm
OFF	ON	880nm
ON	ON	950nm