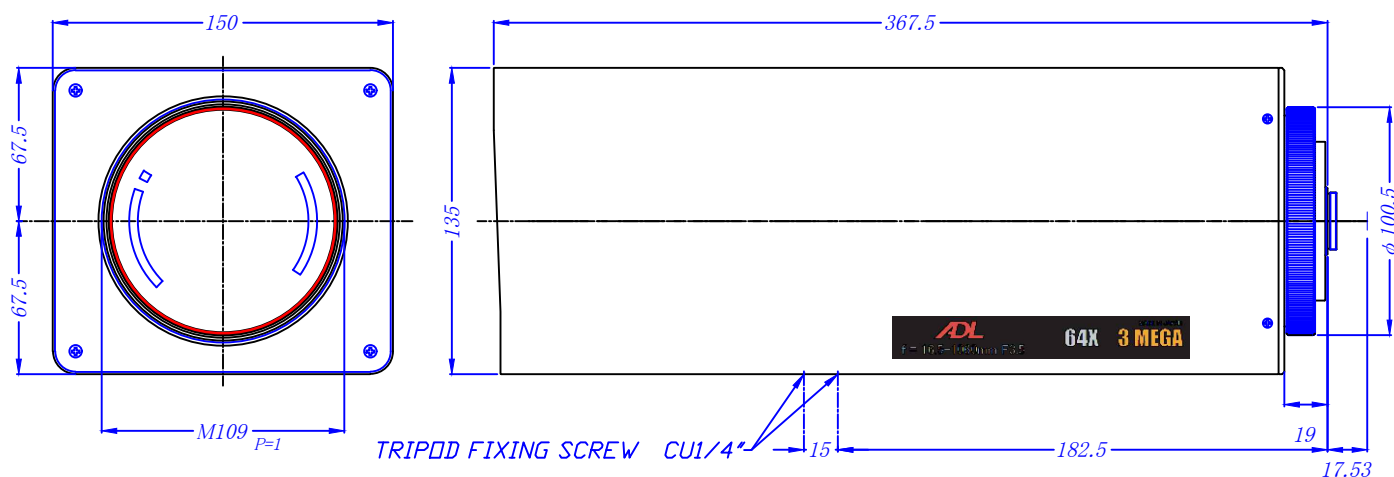


HZ64X1635DP

Type	AI ZOOM	Mount	C	1/1.8"		
Focal Length	16.5~1060mm	Back Focus	37.03mm			
Fno.	F3.5	Mechanical Bf	17.53mm			
Designed Image Format	1/1.8"(5.3x7.0mm)	Exit Pupil	-64.81mm			
Operation Range	Iris	F3.5-CLOSE	Filter Size	M109 P=1		
	Focus	5.0m ~ infinity	Aperture	Front	ø101.5mm	
Zoom	16.5~1060mm	Rear		ø 14.7mm		
Control	Iris	DC Galvanometer	Dimension	135x150x367.5mm	C	
	Focus	DC Motor				
	Zoom	DC Motor				Weight
Object Size at MOD	Wide	2043.0x 1534.0mm	Weight	5350 g		
	Tele	32.0x 24.1mm				
Field of View	D	29.6°~0.47°	1/3"	20.4°~0.33°	1/4"	15.3°~0.24°
	H	23.9°~0.38°	1/3"	16.3°~0.26°	1/4"	12.2°~0.20°
	V	17.9°~0.29°	1/3"	12.2°~0.20°	1/4"	9.2°~0.15°
Control	Iris	Focus	Zoom			
Driving Coil/Supply Volt.	190Ω	DC 6-12V	DC 6-12V			
Damping Coil/Current	1000Ω	60mA or less	60mA or less			
Response Time	about 2 sec.	about 8 sec.	about 8 sec.			
Potentiometer	-	-	-			
Light Measuring Method						
Input Signal						
Iris Accuracy						
Sensitivity Adjustment						
Operating Temperature	-10 ~ +50 degree C				DP	

DIMENSIONS



CABLE CONNECTION

IRIS

4 - PIN PLUG

- ① (-) DAMPING COIL
- ② (+) DAMPING COIL
- ③ (+) DRIVING COIL
- ④ (-) DRIVING COIL

DRIVE

HDAB-15P(HIROSE)

- FOCUS { ① + FAR
- ② -
- ZOOM { ③ + WIDE
- ④ -
- POTENTIO { ⑧ F.POT.(-)
- METER { ⑨ Z.POT WIP
- ⑩ F.POT WIP
- ⑪ F.POT(+)
- ⑫ Z.POT(+)
- ⑬ Z.POT(-)