

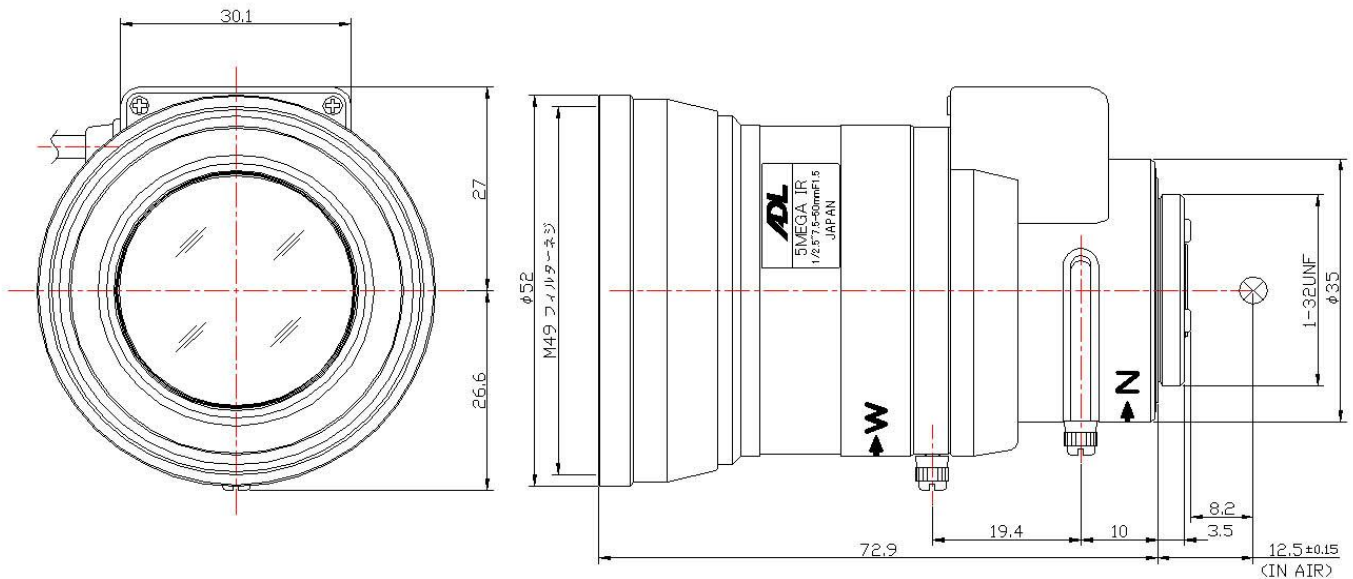
MFV7X7515D

5Mega Pixel



Type	AI VARI		Mount	CS
Focal Length	7.5~50.0mm		Back Focus	9.269~10.693mm
Fno.	F1.5		Mechanical Bf	8.2mm
Designed Image Format	1/2.5"(ϕ 7.13mm)		Exit Pupil	-79.473 ~ -57.764mm
Operation Range	Iris	F1.5-T360	Filter Size	-
	Focus	0.5m~ ∞	Aperture	Front ϕ 30.3mm
	Zoom	7.5~50.0mm		Rear ϕ 9.2mm
Control	Iris	DC Galvanometer	Dimension	ϕ 52.0 x 72.9mm
	Focus	Manual Control		
	Zoom	Manual Control		
	ICR	-		
Object Size at MOD	Wide	4:3 290.6x394.7mm	16:9 235.7x432.8mm	
	Tele	50.9x67.7mm	41.6x73.6mm	
Field of View	D	4:3 51.2° ~ 8.3°	16:9 51.2° ~ 8.3°	
	H	4:3 41.0° ~ 6.7°	16:9 44.6° ~ 7.2°	
	V	30.8° ~ 5.0°	25.2° ~ 4.1°	
Control	Iris	Focus	Zoom	-
Driving Coil/Supply Volt	190 Ω	-	-	-
Damping Coil/Current	1310 Ω	-	-	-
Response Time	-	-	-	-
Potentiometer	-	-	-	-
Light Measuring Method	-			
Input Signal	-			
Iris Accuracy	-			
Sensitivity Adjustment	-			
Operating Temperature	-10 ~ +50 °C			

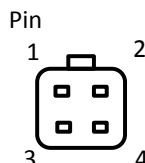
DIMENSIONS



Wiring Diagram

4 Pin Standard Connector for Auto Iris

Pin No. 1	Damping (-)
Pin No. 2	Damping (+)
Pin No. 3	Driving (+)
Pin No. 4	Driving (-)



Subject to change without notice