

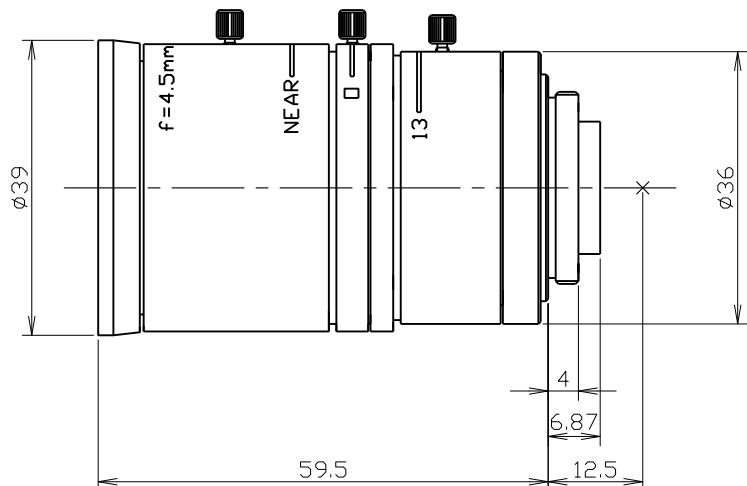
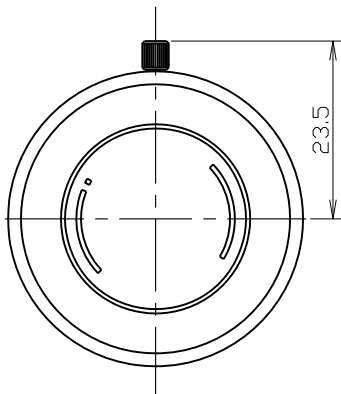
MHV3X4518M



Type	VARI		Mount	CS		
Focal Length	4.5~13mm		Back Focus	6.67mm		
Fno.	F1.8		Mechanical Bf	5.82mm		
Designed Image Format	1/2"(4.8x6.4mm)		Exit Pupil	—		
Operation Range	Iris	F1.8~Close	Filter Size	—		
	Focus	0.5m ~ ∞	Aperture	Front	∅24.5mm	
	Zoom	4.5~13mm		Rear	∅9.8mm	
Control	Iris	Manual	Dimension	39x59.5mm		
	Focus	Manual		Weight	128g	
	Zoom	Manual				
Object Size at MOD	Wide	—				
	Tele	—				
Field of View	D	1/2" 114.3°~39.9°	1/3" 76.40°~25.16°			
	H	90.3°~29.4°	61.12°~20.13°			
	V	66.6°~24.0°	45.84°~15.10°			
Control	Iris		Focus		Zoom	
Driving Coil/Supply Volt.	—		—		—	
Damping Coil/Current	—		—		—	
Response Time	—		—		—	
Potentiometer	—		—		—	
Light Measuring Method	—					
Input Signal	—					
Iris Accuracy	—					
Sensitivity Adjustment	—					
Operating Temperature	-5°C ~ +50°C					

1/2"
CS
CSD

DIMENSIONS



Wiring Diagram

1) 4 Pin Standard Connector for Auto Iris

Pin No.1	Damping (-)
2	Damping (+)
3	Driving (+)
4	Driving (-)

