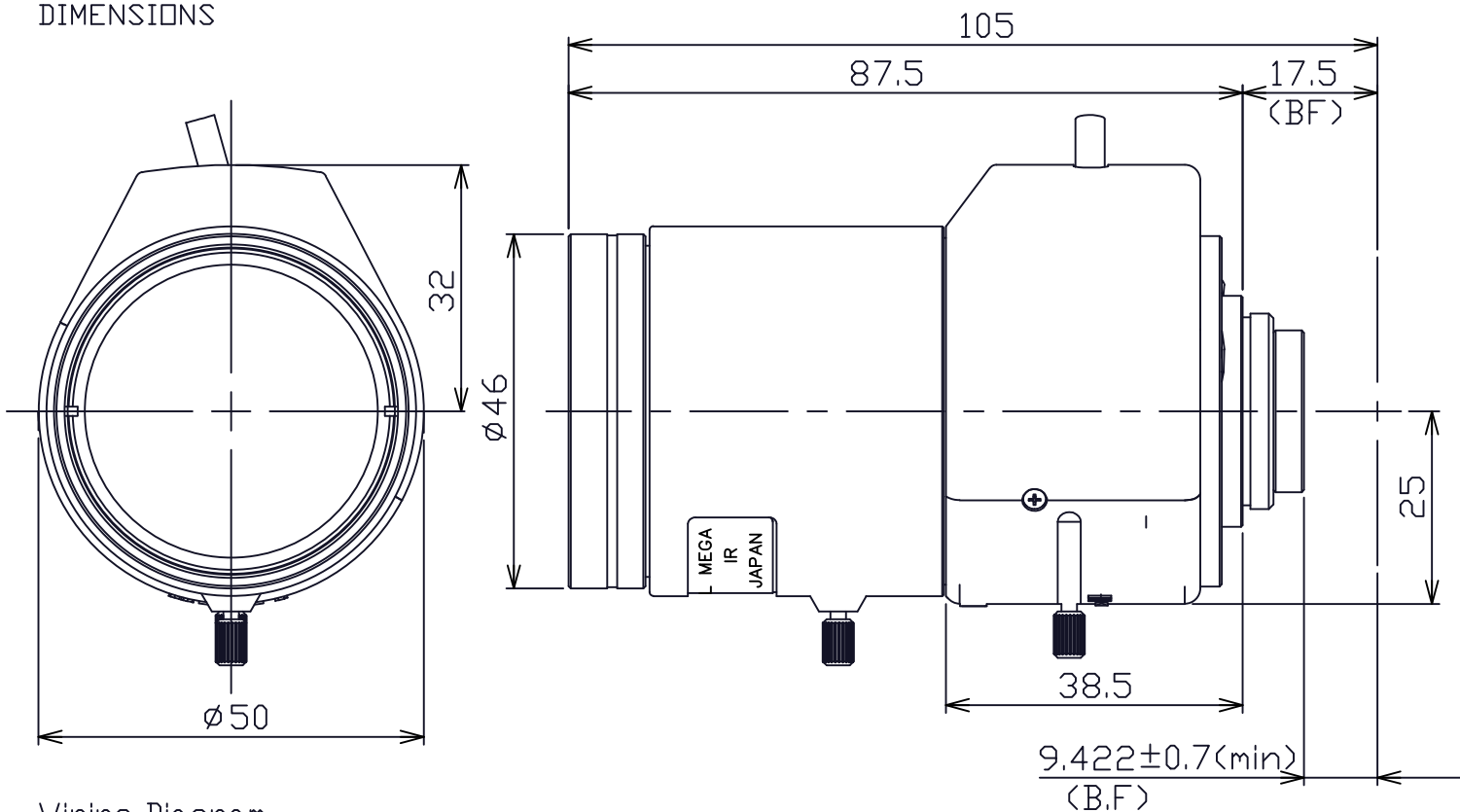


MHV5X1020D



Type	AI VARI		Mount	C	
Focal Length	10.0~50.0mm		Back Focus	9.422~11.608mm	
Fno.	F2.0		Mechanical Bf	8.546mm	
Designed Image Format	1/1.8"(6.9x5.2mm)		Exit Pupil	-	
Operation Range	Iris	F2.0~T360	Filter Size	-	
	Focus	0.3m~∞	Aperture	Front	∅ 37.9
	Zoom	10.0~50.0mm		Rear	∅ 13.9
Control	Iris	DC Galvanometer			
	Focus	Manual	Dimension	50x57x87.5mm	
	Zoom	Manual	Weight	240g	
Object Size at MOD	Wide	-			
	Tele	-			
Field of View	D	50.99°~10.60°	1/3"	33.66°~7.08°	C
	H	40.53°~8.47°		26.82°~5.67°	
	V	30.20°~6.37°		20.08°~4.25°	
Control	Iris		Focus		Zoom
Driving Coil/Supply Volt.	190Ω		-		-
Damping Coil/Current	456Ω		-		-
Response Time	-		-		-
Potentiometer	-		-		-
Light Measuring Method	-		-		-
Input Signal	-		-		-
Iris Accuracy	-		-		-
Sensitivity Adjustment	-		-		-
Operating Temperature	-5℃~+50℃				CSD

DIMENSIONS



Wiring Diagram

1) 4 Pin Standard Connector for Auto Iris

Pin No.1	Damping (-)
2	Damping (+)
3	Driving (+)
4	Driving (-)

