

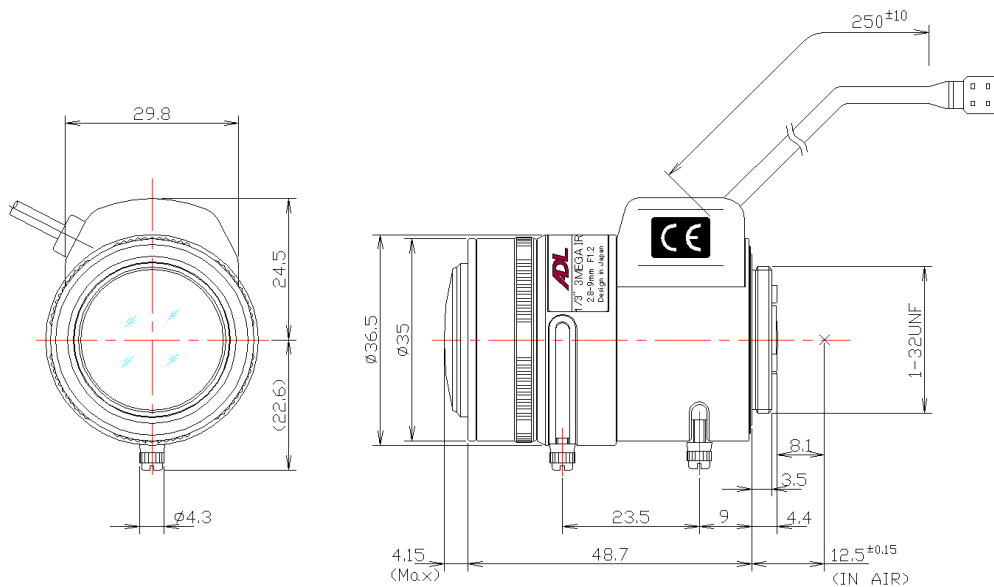
3 Mega Pixel

MTV3X2812D



Type	AI VARI		Mount	CS	
Focal Length	2.8~9.0mm		Back Focus	8.018~15.491mm	
Fno.	F1.2		Mechanical Bf	8.1mm	
Designed Image Format	1/3" (φ 6.0mm)		Exit Pupil	-654.3 ~ -30.15mm	
Operation Range	Iris	F1.2-F360	Filter Size	-	
	Focus	0.5m~∞	Aperture	Front	φ 23.3mm
	Zoom	2.8~9.0mm		Rear	φ 8.2mm
Control	Iris	DC Galvanometer	Dimension	φ 36.5 x 48.7mm	
	Focus	Manual Control		Weight	55.5g
	Zoom	Manual Control			
	ICR	-			
Object Size at MOD	Wide	4:3 741.4x1171.4mm			
	Tele	221.6x298.8mm			
Field of View	D	125.7° ~ 39.6°			
	H	4:3 97.7° ~ 31.7°			
	V	71.9° ~ 23.8°			
Control	Iris	Focus	Zoom	-	
Driving Coil/Supply Volt	190 Ω	-	-	-	
Damping Coil/Current	855 Ω	-	-	-	
Response Time	-	-	-	-	
Potentiometer	-	-	-	-	
Light Measuring Method	-				
Input Signal	-				
Iris Accuracy	-				
Sensitivity Adjustment	-				
Operating Temperature	-10 ~ +50 °C				

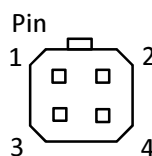
DIMENSIONS



Wiring Diagram

4 Pin Standard Connector for Auto Iris

Pin No. 1	Damping (-)
Pin No. 2	Damping (+)
Pin No. 3	Driving (+)
Pin No. 4	Driving (-)



Subject to change without notice