

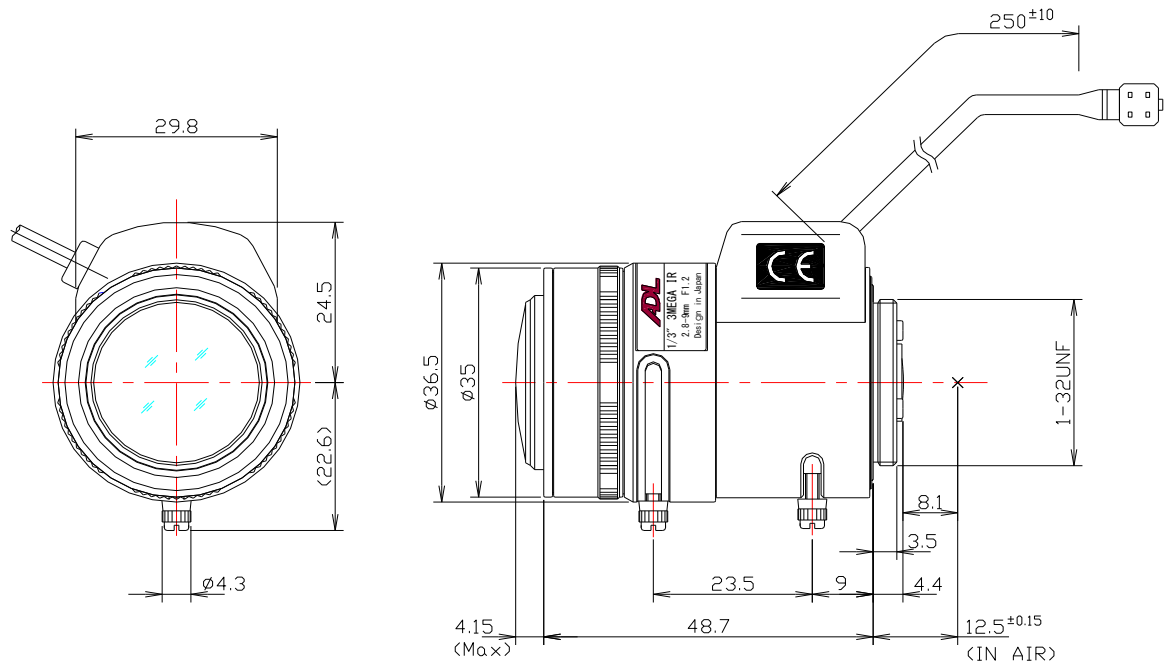
3 Mega Pixel

MTV3X2812S



| | | | | | |
|------------------------|----------------------------------|--------------------|---------------|-------------------|-----------------|
| Type | AI VARI | | Mount | CS | |
| Focal Length | 2.8~9.0mm | | Back Focus | 8.018~15.491mm | |
| Fno. | F1.2 | | Mechanical Bf | 8.1mm | |
| Designed Image Format | 1/3"(φ 6.0mm) | | Exit Pupil | -654.3 ~ -30.15mm | |
| Operation Range | Iris | F1.2-Close | Filter Size | - | |
| | Focus | 0.5m~∞ | Aperture | Front | φ 23.3mm |
| | Zoom | 2.8~9.0mm | | Rear | φ 8.2mm |
| Control | Iris | Mortorized | Dimension | | φ 36.5 x 48.7mm |
| | Focus | Manual Control | Weight | | 55.5g |
| | Zoom | Manual Control | | | |
| | ICR | - | | | |
| Object Size at MOD | Wide | 4:3 741.4x1171.4mm | | | |
| | Tele | 221.6x298.8mm | | | |
| Field of View | D | 125.7° ~ 39.6° | | | |
| | H | 4:3 97.7° ~ 31.7° | | | |
| | V | 71.9° ~ 23.8° | | | |
| Control | Iris | | Focus | Zoom | |
| Motor type | PM type stepping motor | | - | - | |
| Operation voltage | 3V~5V | | - | - | |
| Coil resistance | 33Ω /phase ± 10% | | - | - | |
| Excite driving method | 2phase excitation bipolar method | | - | - | |
| Step angle | 0.821° | | - | - | |
| Insulation resistance | 1MΩ or more | | - | - | |
| Input Signal | - | | | | |
| Iris Accuracy | - | | | | |
| Sensitivity Adjustment | - | | | | |
| Operating Temperature | -10 ~ +50 °C | | | | |

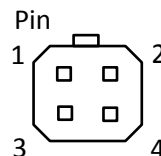
DIMENSIONS



Wiring Diagram

P iris Connector for Auto Iris

| PIN No. | STEP PHASE | CLOSE | | OPEN | |
|---------|------------|-------|---|------|---|
| | | 1 | 2 | 3 | 4 |
| 1 | B | H | H | L | L |
| 2 | A | H | L | L | H |
| 3 | \bar{A} | L | H | H | L |
| 4 | \bar{B} | L | L | H | H |



Subject to change without notice