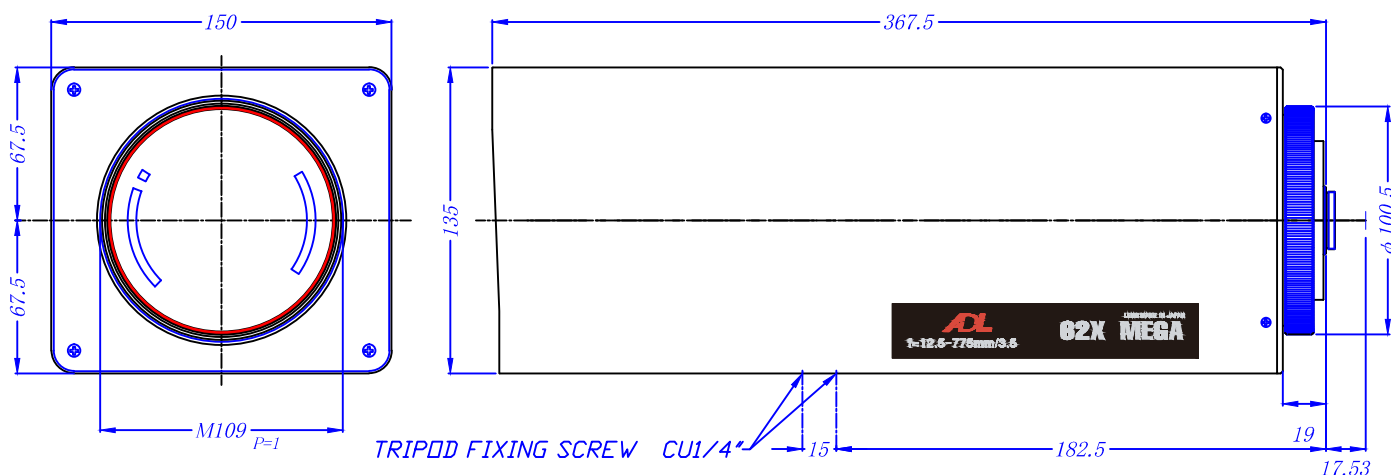


HZ62X1235D

Type	AI ZOOM		Mount	C	1/2"		
Focal Length	12.5~775mm		Back Focus	42.29mm			
Fno.	F3.5		Mechanical Bf	17.53mm			
Designed Image Format	1/2"(4.8x6.4mm)		Exit Pupil	-167.31mm			
Operation Range	Iris	F3.5-CLOSE		Filter Size	M109 P=1		
	Focus	5.0m ~ infinity		Aperture	Front	∅ -	
	Zoom	12.5~775mm			Rear	∅ -	
Control	Iris	DC Galvanometer		Dimension	135x150x367.5mm		
	Focus	DC Motor				Weight	5250 g
	Zoom	DC Motor					
Object Size at MOD	Wide	2454.0x 1842.0mm					
	Tele	39.4x 29.6mm					
Field of View	D	-		-			
	H	1/2"	28.8°~0.47°	1/3"	21.8°~0.35°		
	V		21.8°~0.35°		16.4°~0.26°		
Control	Iris		Focus		Zoom		
Driving Coil/Supply Volt.	190Ω		DC 6-12V		DC 6-12V		
Damping Coil/Current	1000Ω		60mA or less		60mA or less		
Response Time	about 2 sec.		about 8 sec.		about 8 sec.		
Potentiometer	-		-		-		
Light Measuring Method					-		
Input Signal					-		
Iris Accuracy					-		
Sensitivity Adjustment					-		
Operating Temperature	-10 ~ +50 degree C				D		

DIMENSIONS



CABLE CONNECTION

IRIS

4 - PIN PLUG

- ① (-) DAMPING COIL
- ② (+) DAMPING COIL
- ③ (+) DRIVING COIL
- ④ (-) DRIVING COIL

DRIVE

HDAB-15P(HIROSE)

- FOCUS { ① + FAR
- { ② -
- ZOOM { ③ + WIDE
- { ④ -