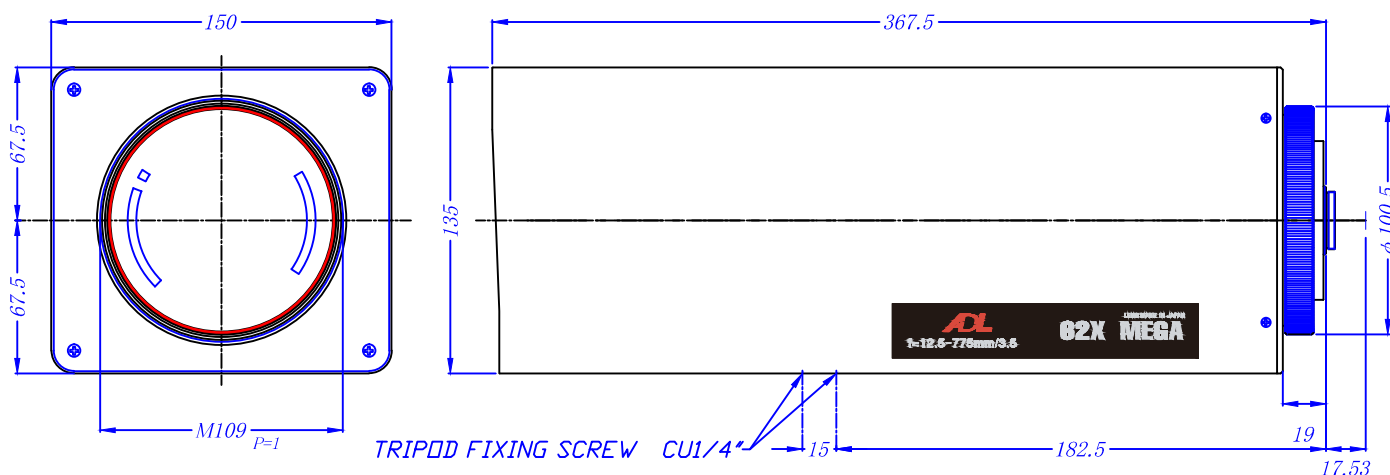


HZ62X1235DP

Type	AI ZOOM		Mount	C	1/2"		
Focal Length	12.5~775mm		Back Focus	42.29mm			
Fno.	F3.5		Mechanical Bf	17.53mm	C		
Designed Image Format	1/2"(4.8x6.4mm)		Exit Pupil	-167.31mm			
Operation Range	Iris	F3.5-CLOSE	Filter Size	M109 P=1	DP		
	Focus	5.0m ~ infinity	Aperture	Front		φ -	
Zoom	12.5~775mm	Rear		φ -			
Control	Iris	DC Galvanometer	Dimension	135x150x367.5mm	C		
	Focus	DC Motor				Weight	5350 g
	Zoom	DC Motor					
Object Size at MOD	Wide	2454.0x 1842.0mm					
	Tele	39.4x 29.6mm					
Field of View	D	-	-				
	H	1/2" 28.8°~0.47°	1/3" 21.8°~0.35°				
	V	21.8°~0.35°	16.4°~0.26°				
Control	Iris	Focus	Zoom				
Driving Coil/Supply Volt.	190Ω	DC 6-12V	DC 6-12V				
Damping Coil/Current	1000Ω	60mA or less	60mA or less				
Response Time	about 2 sec.	about 8 sec.	about 8 sec.				
Potentiometer	-	-	-				
Light Measuring Method							
Input Signal							
Iris Accuracy							
Sensitivity Adjustment							
Operating Temperature	-10 ~ +50 degree C						

DIMENSIONS



CABLE CONNECTION

IRIS

4 - PIN PLUG

- ① (-) DAMPING COIL
- ② (+) DAMPING COIL
- ③ (+) DRIVING COIL
- ④ (-) DRIVING COIL

DRIVE

HDAB-15P(HIROSE)

- FOCUS { ① + FAR
- ② -
- ZOOM { ③ + WIDE
- ④ -
- POTENTIO { ⑧ F.POT(-)
- METER { ⑨ Z.POT WIP
- ⑩ F.POT WIP
- ⑪ F.POT(+)
- ⑫ Z.POT(+)
- ⑬ Z.POT(-)