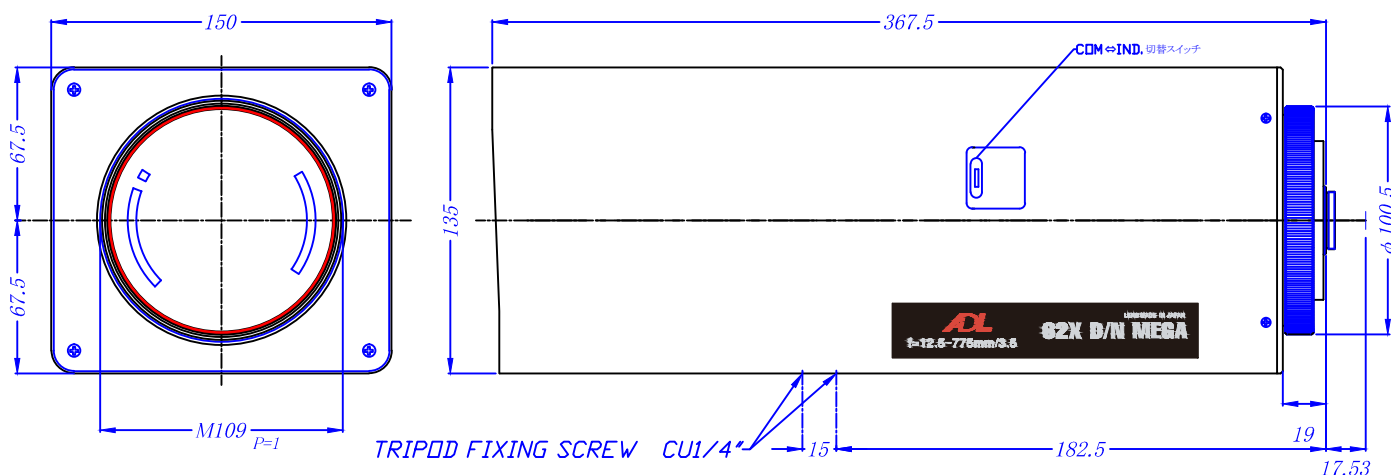


HZ62X1235DPFIR

Type	AI ZOOM		Mount	C	1/2"
Focal Length	12.5~775mm		Back Focus	42.29mm	
Fno.	F3.5		Mechanical Bf	17.53mm	
Designed Image Format	1/2"(4.8x6.4mm)		Exit Pupil	-167.31mm	
Operation Range	Iris	F3.5-CLOSE		Filter Size	M109 P=1
	Focus	5.0m ~ infinity		Aperture	Front
Zoom	12.5~1550mm		Rear		φ -
Control	Iris	DC Galvanometer		Dimension	135x150x367.5mm
	Focus	DC Motor			
	Zoom	DC Motor			
Object Size at MOD	Wide	2454.0x 1842.0mm			
	Tele	39.4x 29.6mm			
Field of View	D	-		-	
	H	1/2"	28.8°~0.24°	1/3"	21.8°~0.18°
	V		21.8°~0.18°		16.4°~0.13°
Control	Iris		Focus		Zoom
Driving Coil/Supply Volt.	190Ω		DC 6-12V		DC 6-12V
Damping Coil/Current	1000Ω		60mA or less		60mA or less
Response Time	about 2 sec.		about 8 sec.		about 8 sec.
Potentiometer	-		-		-
Light Measuring Method					-
Input Signal					-
Iris Accuracy					-
Sensitivity Adjustment					-
Operating Temperature	-10 ~ +50 degree C				DP

DIMENSIONS



CABLE CONNECTION

IRIS

4 - PIN PLUG

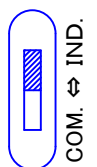
- ① (-) DAMPING COIL
- ② (+) DAMPING COIL
- ③ (+) DRIVING COIL
- ④ (-) DRIVING COIL

DRIVE

HDAB-15P(HIROSE)

- | | | |
|-------|----------|----------|
| | IND | COM |
| FOCUS | ① + FAR | ① + FAR |
| | ② - | - NEAR |
| ZOOM | ③ + WIDE | ② N.C. |
| | ④ - | ③ + WIDE |
| | | - TELE |
| | | ④ COM |

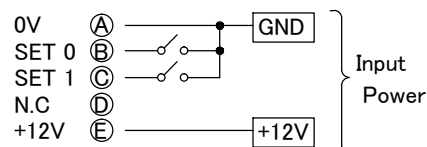
- | | |
|----------|----------------|
| POTENTIO | ⑩ LENS POT.(+) |
| -METER | ⑪ F.POT WIP |
| | ⑫ Z.POT WIP |
| | ⑬ LENS POT.(-) |



コントロールモード
COM⇄IND.切替スイッチ
(出荷時はIND.にしてあります)

FILTER

R05-R5M(TAJIMI)



NEAR IR SELECTION

SET 0	SET 1	FILTER
OFF	OFF	VISIBLE LIGHT
ON	OFF	850nm
OFF	ON	880nm
ON	ON	950nm

(接点定格 30V 0.1A 以上を使用して下さい)