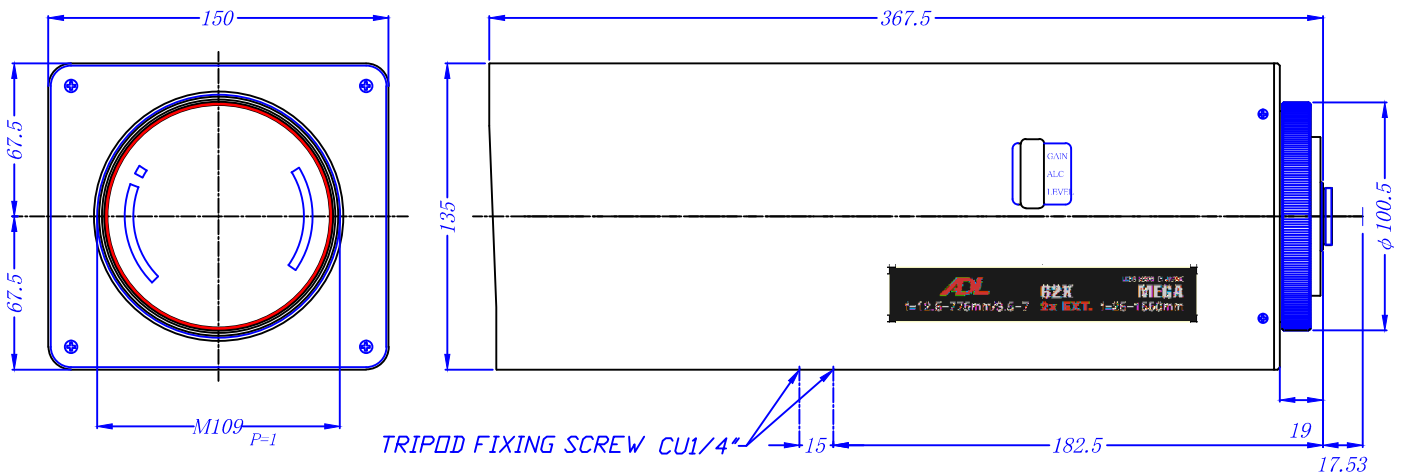


HZ62X1235DPX

Type	AI ZOOM		Mount	C	1/2"
Focal Length	1 X	12.5~775mm	Back Focus	42.29mm	
	2 X	25.0~1550mm	Mechanical Bf	17.53mm	
Fno.	1 X	F3.5 at 12.5mm	Exit Pupil	-167.31mm	
	2 X	F7.0 at 25mm	Filter Size	M109 P=1	
Designed Image Format	1/2"(4.8x6.4mm)				
Operation Range	Iris	F3.5-CLOSE			
	Focus	5.0m ~ infinity	Aperture	Front	∅ -
	Zoom	12.5~1550mm		Rear	∅ -
Control	Iris	DC Galvanometer			C
	Focus	DC Motor	Dimension	135x150x367.5mm	
	Zoom	DC Motor	Weight	5500 g	
Object Size at MOD	Wide	2454.0x 1842.0mm			
	Tele	39.4x 29.6mm			
Field of View	D	-	-		
	H	1/2" 28.8°~0.24°	1/3" 21.8°~0.18°		
	V	21.8°~0.18°	16.4°~0.13°		
Control		Iris	Focus	Zoom	
Driving Coil/Supply Volt.		190Ω	DC 6-12V	DC 6-12V	
Damping Coil/Current		1000Ω	60mA or less	60mA or less	
Response Time		about 2 sec.	about 8 sec.	about 8 sec.	
Potentiometer		-	-	-	
Light Measuring Method					
Input Signal					
Iris Accuracy					
Sensitivity Adjustment					
Operating Temperature		-10 ~ +50 degree C			DF

DIMENSIONS



CABLE CONNECTION

IRIS

4 - PIN PLUG

- ① (-) DAMPING COIL
- ② (+) DAMPING COIL
- ③ (+) DRIVING COIL
- ④ (-) DRIVING COIL

DRIVE

HDAB-15P(HIROSE)

- FOCUS { ① + FAR
- { ② -
- ZOOM { ③ + WIDE
- { ④ -
- POTENTIO { ⑧ F.POT(-)
- METER { ⑨ Z.POT WIP
- { ⑩ F.POT WIP
- { ⑪ F.POT(+)
- { ⑫ Z.POT(+)
- { ⑬ Z.POT(-)
- EXTENDER { ⑭ + 2 x
- { ⑮ -