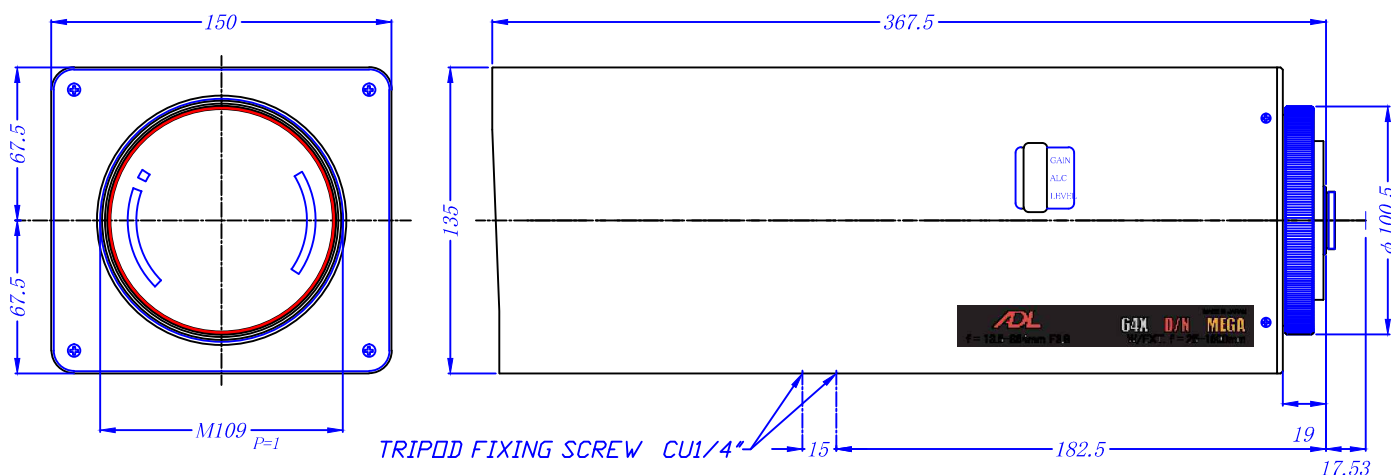


# HZ64X1338D

Type	AI ZOOM		Mount	C	1/1.8"		
Focal Length	13.5~864mm		Back Focus	31.28mm			
Fno.	F3.8		Mechanical Bf	17.53mm	C		
Designed Image Format	1/1.8"(7.0x5.3mm)		Exit Pupil	-74.11mm			
Operation Range	Iris	F3.8-CLOSE	Filter Size	M109 P=1	DP		
	Focus	5.0m ~ infinity	Aperture	Front		∅ -	
	Zoom	13.5~864mm		Rear	∅ -		
Control	Iris	DC Galvanometer	Dimension	135x150x367.5mm	C		
	Focus	DC Motor				Weight	5250 g
	Zoom	DC Motor					
Object Size at MOD	Wide	2454.0x 1842.0mm					
	Tele	39.4x 29.6mm					
Field of View	D	-	-				
	H	1/1.8" 28.4°~0.23°	1/3" 19.3°~0.17°				
	V	21.3°~0.35°	14.5°~0.24°				
Control	Iris		Focus	Zoom			
Driving Coil/Supply Volt.	190Ω		DC 6-12V	DC 6-12V			
Damping Coil/Current	1000Ω		60mA or less	60mA or less			
Response Time	about 2 sec.		about 8 sec.	about 8 sec.			
Potentiometer	-		-	-			
Light Measuring Method			-				
Input Signal			-				
Iris Accuracy			-				
Sensitivity Adjustment			-				
Operating Temperature	-10 ~ +50 degree C						

## DIMENSIONS



## CABLE CONNECTION

### IRIS

#### 4 - PIN PLUG

- ① (-) DAMPING COIL
- ② (+) DAMPING COIL
- ③ (+) DRIVING COIL
- ④ (-) DRIVING COIL

## DRIVE

### HDAB-15P(HIROSE)

- FOCUS { ① + FAR
- { ② -
- ZOOM { ③ + WIDE
- { ④ -