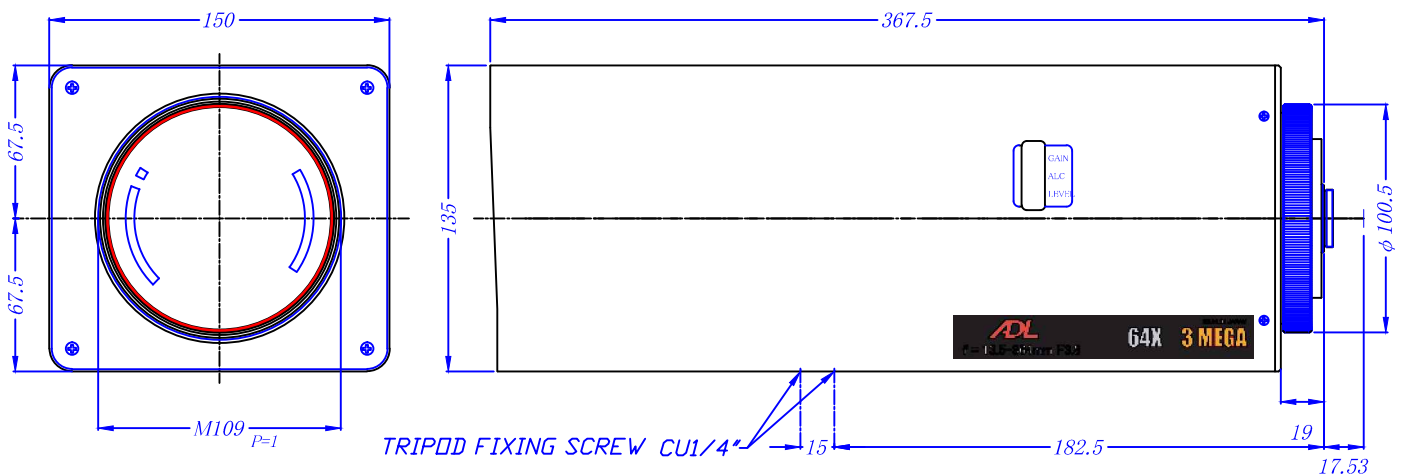


HZ64X1338DP

Type	AI ZOOM		Mount	C	1/1.8"	
Focal Length	13.5~864mm		Back Focus	31.28mm		
Fno.	F3.8		Mechanical Bf	17.53mm	C	
Designed Image Format	1/1.8"(7.0x5.3mm)		Exit Pupil	-74.11mm		
Operation Range	Iris	F3.8-CLOSE	Filter Size	M109 P=1	DP	
	Focus	5.0m ~ infinity	Aperture	Front		φ -
	Zoom	13.5~864mm			Rear	φ -
Control	Iris	DC Galvanometer	Dimension	135x150x367.5mm		
	Focus	DC Motor		Weight	5300 g	
	Zoom	DC Motor				
Object Size at MOD	Wide	2454.0x 1842.0mm				
	Tele	39.4x 29.6mm				
Field of View	D	-	1/3"	-		
	H	1/1.8" 28.4°~0.47°		19.3°~0.32°		
	V	21.3°~0.35°		14.5°~0.24°		
Control	Iris		Focus		Zoom	
Driving Coil/Supply Volt.	190Ω		DC 6-12V		DC 6-12V	
Damping Coil/Current	1000Ω		60mA or less		60mA or less	
Response Time	about 2 sec.		about 8 sec.		about 8 sec.	
Potentiometer	-		-		-	
Light Measuring Method					-	
Input Signal					-	
Iris Accuracy					-	
Sensitivity Adjustment					-	
Operating Temperature	-10 ~ +50 degree C					

DIMENSIONS



CABLE CONNECTION

IRIS

4 - PIN PLUG

- ① (-) DAMPING COIL
- ② (+) DAMPING COIL
- ③ (+) DRIVING COIL
- ④ (-) DRIVING COIL

DRIVE CTRL

HDAB-15P(HIROSE)

- FOCUS { ① + FAR
- ② -
- ZOOM { ③ + WIDE
- ④ -
- POTENTIO { ⑧ F.POT.(-)
- METER { ⑨ Z.POT WIP
- ⑩ F.POT WIP
- ⑪ F.POT(+)
- ⑫ Z.POT(+)
- ⑬ Z.POT(-)