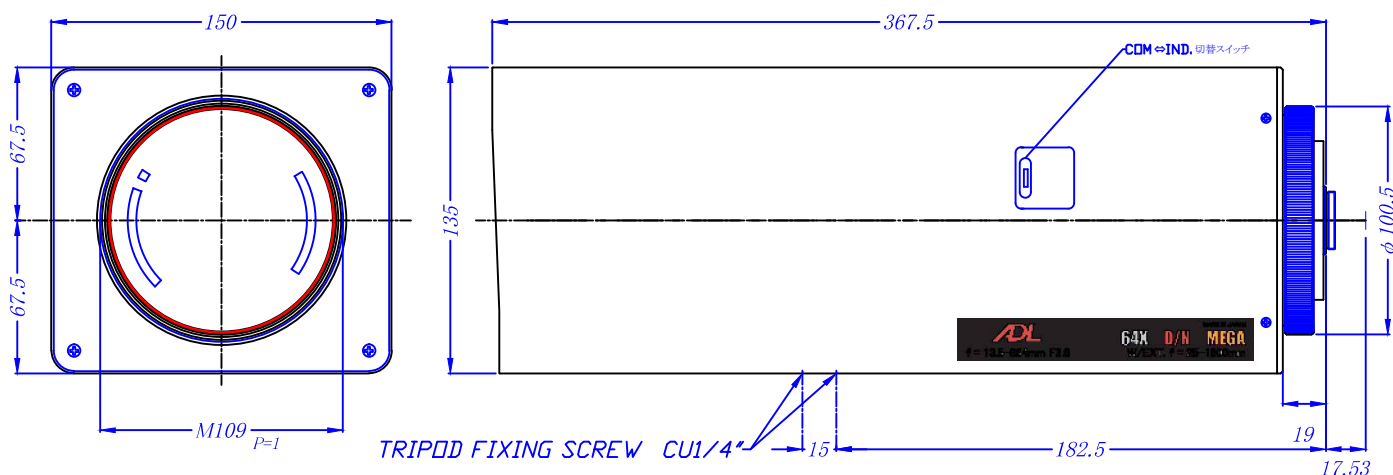


HZ64X1338DPFIR

Type	AI ZOOM		Mount	C	1/1.8"	
Focal Length	13.5~864mm		Back Focus	31.28mm		
Fno.	F3.8		Mechanical Bf	17.53mm		
Designed Image Format	1/1.8"(7.0x5.3mm)		Exit Pupil	-74.11mm		
Operation Range	Iris	F3.8-CLOSE		Filter Size	M109 P=1	
	Focus	5.0m ~ infinity		Aperture	Front	φ -
Zoom	13.5~864mm		Rear		φ -	
Control	Iris	DC Galvanometer		Dimension	135x150x367.5mm	
	Focus	DC Motor				
	Zoom	DC Motor				Weight
Object Size at MOD	Wide	2454.0x 1842.0mm		C		
	Tele	39.4x 29.6mm				
Field of View	D	-		1/3"	-	
	H	1/1.8" 28.4°~0.47°				19.3°~0.32°
	V	21.3°~0.35°				14.5°~0.24°
Control	Iris		Focus	Zoom		
Driving Coil/Supply Volt.	190Ω		DC 6-12V	DC 6-12V		
Damping Coil/Current	1000Ω		60mA or less	60mA or less		
Response Time	about 2 sec.		about 8 sec.	about 8 sec.		
Potentiometer	-		-	-		
Light Measuring Method			-			
Input Signal			-			
Iris Accuracy			-			
Sensitivity Adjustment			-			
Operating Temperature	-10 ~ +50 degree C			DP		

DIMENSIONS



CABLE CONNECTION

IRIS

4 - PIN PLUG

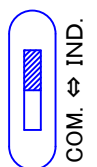
- ① (-) DAMPING COIL
- ② (+) DAMPING COIL
- ③ (+) DRIVING COIL
- ④ (-) DRIVING COIL

DRIVE

HDAB-15P(HIROSE)

- | | | |
|-------|-------------------|-------------------------------|
| | IND | COM |
| FOCUS | { ① + FAR
② - | { ① + FAR
- NEAR
② N.C. |
| ZOOM | { ③ + WIDE
④ - | { ③ + WIDE
- TELE
④ COM |

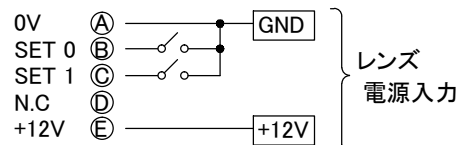
- | | |
|----------|------------------|
| POTENTIO | { ⑩ LENS POT.(+) |
| -METER | { ⑪ F.POT WIP |
| | { ⑫ Z.POT WIP |
| | { ⑬ LENS POT.(-) |



コントロールモード
COM⇄IND.切替スイッチ
(出荷時はIND.にしてあります)

FILTER

R05-R5M(TAJIMI)



近赤外波長選択

SET 0	SET 1	フィルター
OFF	OFF	可視光
ON	OFF	850nm
OFF	ON	880nm
ON	ON	950nm

(接点定格 30V 0.1A 以上を使用して下さい)