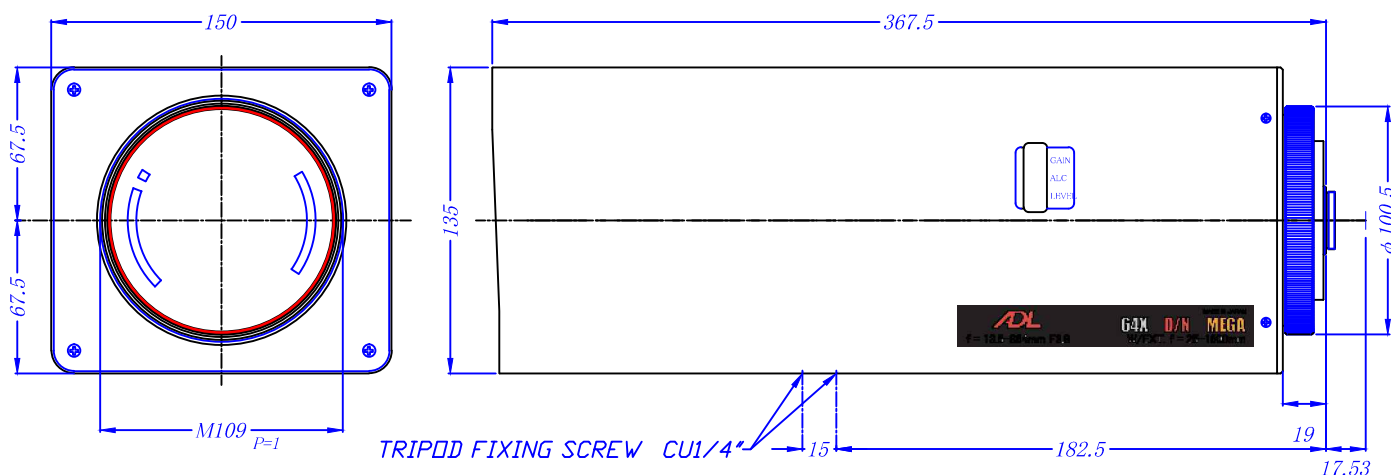


HZ64X1338DPX

Type	AI ZOOM		Mount	C	1/1.8"		
Focal Length	13.5~1600mm		Back Focus	31.28mm			
Fno.	F3.8		Mechanical Bf	17.53mm	C		
Designed Image Format	1/1.8"(7.0x5.3mm)		Exit Pupil	-74.11mm			
Operation Range	Iris	F3.8-CLOSE	Filter Size	M109 P=1	DPX		
	Focus	5.0m ~ infinity	Aperture	Front		∅ -	
	Zoom	13.5~1600mm		Rear	∅ -		
Control	Iris	DC Galvanometer	Dimension	135x150x367.5mm	C		
	Focus	DC Motor				Weight	5500 g
	Zoom	DC Motor					
Object Size at MOD	Wide	2454.0x 1842.0mm					
	Tele	39.4x 29.6mm					
Field of View	D	-	-				
	H	1/1.8" 28.4°~0.23°	1/3" 19.3°~0.17°				
	V	21.3°~0.35°	14.5°~0.24°				
Control	Iris		Focus		Zoom		
Driving Coil/Supply Volt.	190Ω		DC 6-12V		DC 6-12V		
Damping Coil/Current	1000Ω		60mA or less		60mA or less		
Response Time	about 2 sec.		about 8 sec.		about 8 sec.		
Potentiometer	-		-		-		
Light Measuring Method							
Input Signal							
Iris Accuracy							
Sensitivity Adjustment							
Operating Temperature	-10 ~ +50 degree C						

DIMENSIONS



CABLE CONNECTION

IRIS

4 - PIN PLUG

- ① (-) DAMPING COIL
- ② (+) DAMPING COIL
- ③ (+) DRIVING COIL
- ④ (-) DRIVING COIL

DRIVE

HDAB-15P(HIROSE)

- FOCUS { ① + FAR
- ② -
- ZOOM { ③ + WIDE
- ④ -
- POTENTIO { ⑧ F.POT.(-)
- METER { ⑨ Z.POT WIP
- ⑩ F.POT WIP
- ⑪ F.POT.(+)
- ⑫ Z.POT.(+)
- ⑬ Z.POT.(-)
- EXTENDER { ⑭ + 2X
- ⑮ -