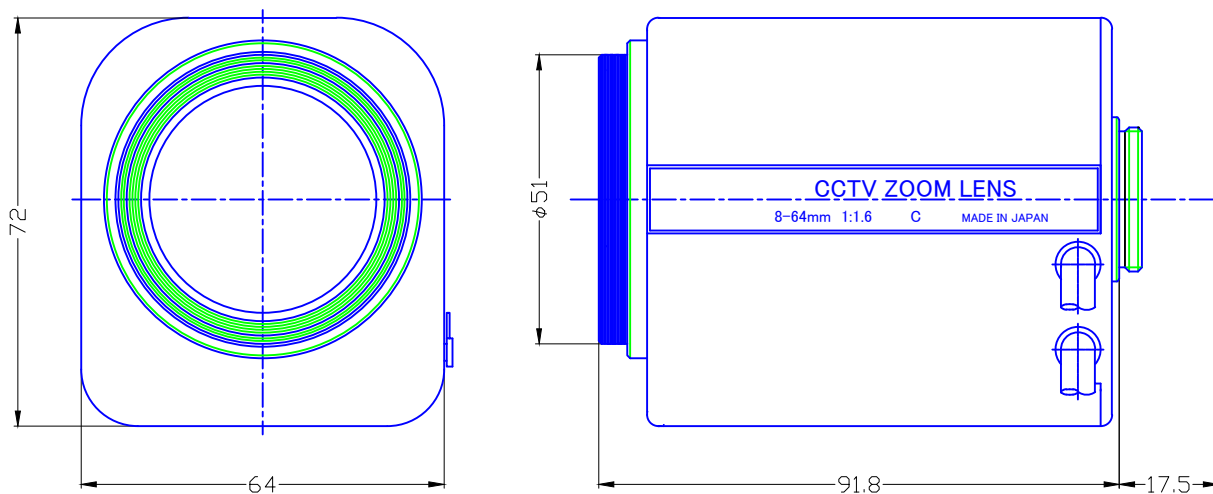


HZ8X0816DP

Type	AI ZOOM		Mount	C	
Focal Length	8~64mm		Back Focus	14.74mm	
Fno.	F1.6		Mechanical Bf	13.5mm	
Designed Image Format	1/2"(4.8x6.4mm)		Exit Pupil	-533.2mm	
Operation Range	Iris	F1.6-T360	Filter Size	M49x0.75mm	
	Focus	1m ~ ∞	Aperture	Front	∅40.0mm
	Zoom	8~64mm		Rear	∅10.6mm
Control	Iris	DC Galvanometer	Dimention	72x64x91.8mm	
	Focus	DC Motor			
	Zoom	DC Motor			Weight
Object Size at MOD	Wide	562 x 754mm			
	Tele	73x 96mm			
Field of View	D	55.0°~7.1°	1/3"	41.2°~5.4°	
	H	44.0°~5.8°		33.2°~4.4°	
	V	33.2°~4.4°		24.9°~3.3°	
Control	Iris		Focus	Zoom	
Driving Coil/Supply Volt.	182Ω		DC 6-12V	DC 6-12V	
Damping Coil/Current	1145Ω		60mA or less	60mA or less	
Response Time	-		4 - 8 sec.	4 - 9 sec.	
Potentiometer	-		10KΩ VR	10KΩ VR	
Light Measuring Method	-				
Input Signal	-				
Iris Accuracy	-				
Sensitivity Adjustment	-				
Operating Temperature	-10°C ~ +50°C				

DIMENSIONS



Wiring Diagram

1) 4-core Cable for Auto Iris

Yellow	Damping (-)
Green	Damping (+)
Red	Driving (+)
Black	Driving (-)

2) 4-core Cable for Focus / Zoom Control

Black	Focus (+)	Far to Near (-)	Near to Far
Green	Focus (-)	Far to Near (+)	Near to Far
Yellow	Zoom (+)	Wide to Tele (-)	Tele to Wide
Red	Zoom (-)	Wide to Tele (+)	Tele to Wide

3) 6-core Cable for Potentiometer to control zooming and focusing

Green	Focus (+)	Far to Near (≒9.5 - 0.5KΩ)
Blue	Focus (-)	
Purple	Focus (+)	Wide to Tele (≒9.5 - 0.5KΩ)
Grey	Zoom (+)	
White	Zoom (-)	
Black	Zoom (+)	