

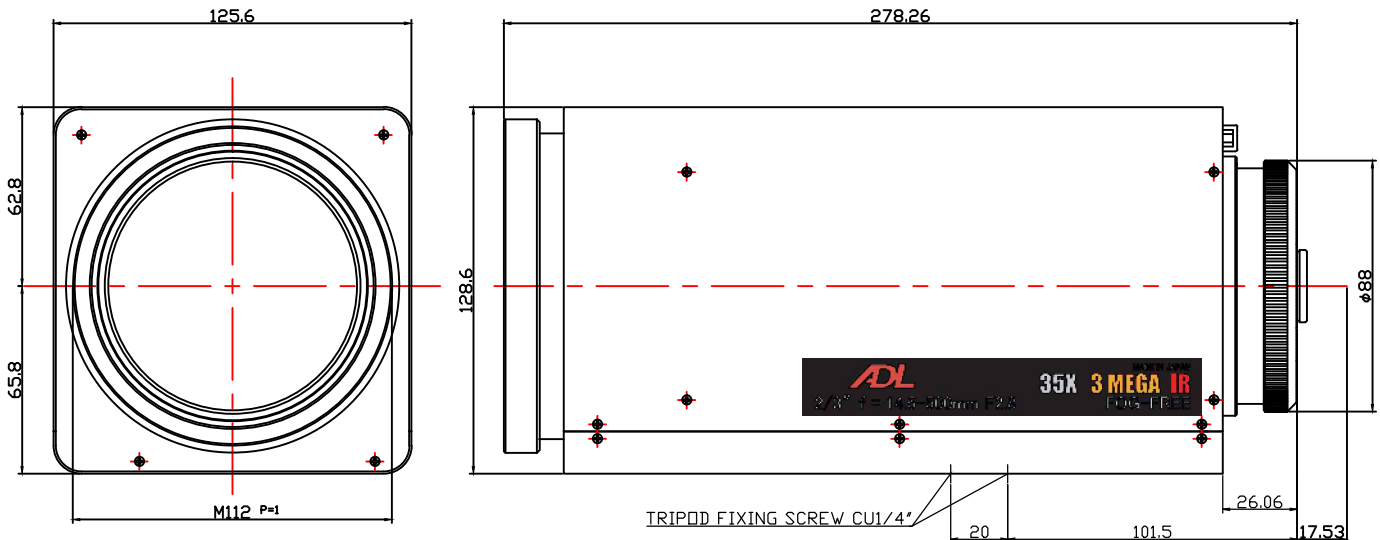
# MZ35X1428DPFIR



## 3MEGA PIXEL

Type	AI ZOOM		Mount	C	2/3"	
Focal Length	14.5~500mm		Back Focus	28.5mm		
Fno.	F2.8		Mechanical Bf	17.53mm		
Designed Image Format	2/3"(6.6x8.8mm)		Exit Pupil	-96.71mm		
Operation Range	Iris	F2.8-Close		Filter Size	M112 P=1	
	Focus	5.0m ~ infinity		Aperture	Front	ø86.7
	Zoom	14.5~500mm			Rear	ø14.8
Control	Iris	DC Galvanometer		Dimension	128.6x125.6x278.3mm	
	Focus	DC Motor				
	Zoom	DC Motor				Weight
Object Size at MOD	Wide	2947x2211mm		C		
	Tele	85.0x63.9mm				
Field of View	D	41.8°~1.25°	34.6°~1.03°	31.0°~0.91°		
	H	2/3" 34.0°~1.00°	1/1.8" 28.0°~0.82°	1/2" 25.0°~0.73°		
	V	25.8°~0.75°	21.1°~0.62°	18.8°~0.55°		
Control	Iris	Focus	Zoom			
Driving Coil/Supply Volt.	180Ω	DC 12V	DC 12V			
Damping Coil/Current	1100Ω	60mA or less	60mA or less			
Response Time	-	-	-			
Potentiometer	-	-	-			
Light Measuring Method	-					
Input Signal	-					
Iris Accuracy	-					
Sensitivity Adjustment	-					
Operating Temperature	-10 ~ +50 degree C				DP	

### DIMENSIONS



### CABLE CONNECTION

#### IRIS

4 - PIN PLUG

- ① (-) DAMPING COIL
- ② (+) DAMPING COIL
- ③ (+) DRIVING COIL
- ④ (-) DRIVING COIL

### DRIVE

HDAB-15P

- ① FOCUS (+) FAR
- ② FOCUS (-)
- ③ ZOOM (+) WIDE
- ④ ZOOM (-)
- ⑤ Filter(+)Dummy
- ⑥ Filter(-)Visible Cut
- ⑦
- ⑧
- ⑨
- ⑩ LENS POT(+)
- ⑪ FOCUS POT WIP
- ⑫ ZOOM POT WIP
- ⑬ LENS POT(-)