

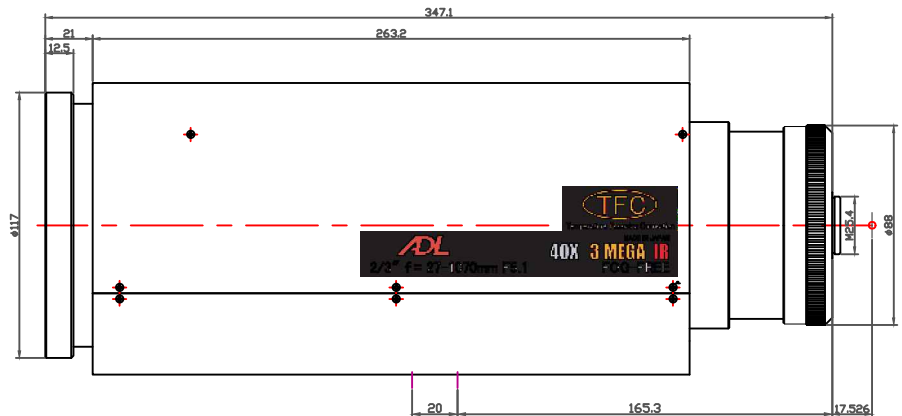
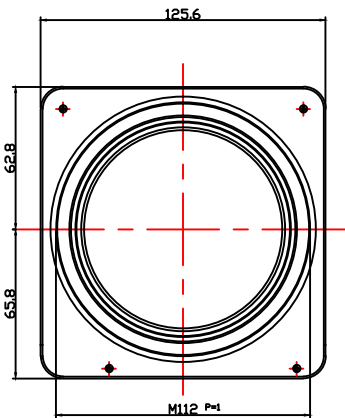
# MZ40X2751DPFIR-T

(TENTATIVE) **ADL**

## 3MEGA PIXEL

Type	AI ZOOM	Mount	C	2/3"			
Focal Length	27~1070mm	Back Focus	41.44mm				
Fno.	F5.1	Mechanical Bf	17.53mm				
Designed Image Format	2/3"(6.6x8.8mm)	Exit Pupil	-236.7mm				
Operation Range	Iris	F5.1-Close	Filter Size	-			
	Focus	5.0m ~ infinity	Aperture	Front	ø86.7		
	Zoom	27~1070mm		Rear	-		
Control	Iris	DC Galvanometer	Dimension	128.6x125.6x347.1mm	C		
	Focus	DC Motor				Weight	5100g
	Zoom	DC Motor					
Object Size at MOD	Wide	1475x1106mm	1206.0x904.3mm				
	Tele	42.7x32.0mm	34.9x26.2mm				
Field of View	D	2/3" 21.6°~0.63°	1/1.8" 17.7°~0.52°	1/1.8" 17.7°~0.52°			
	H	(4:3) 17.3°~0.50°	(4:3) 14.2°~0.41°	(16:9) 15.4°~0.45°			
	V	(4:3) 13.0°~0.38°	(4:3) 10.7°~0.31°	(16:9) 8.7°~0.25°			
Control	Iris	Focus	Zoom				
Driving Coil/Supply Volt.	194Ω	DC 12V	DC 12V				
Damping Coil/Current	1173Ω	60mA or less	60mA or less				
Response Time	-	-	-				
Potentiometer	-	-	-				
Light Measuring Method	-	-	-				
Input Signal	-	-	-				
Iris Accuracy	-	-	-				
Sensitivity Adjustment	-	-	-				
Operating Temperature	-10 ~ +50 degree C			DP			

### DIMENSIONS



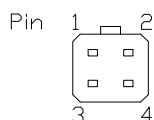
### CABLE CONNECTION

#### IRIS

#### 4 - PIN PLUG

- ① (-) DAMPING COIL
- ② (+) DAMPING COIL
- ③ (+) DRIVING COIL
- ④ (-) DRIVING COIL

4 Pin Standard Connector  
for Auto Iris



### DRIVE

#### HDAB-15P

- ① FOCUS (+) FAR
- ② FOCUS (-)
- ③ ZOOM (+) WIDE
- ④ ZOOM (-)
- ⑤ Filter(+)Dummy
- ⑥ Filter(-)Visible Cut
- ⑦
- ⑧
- ⑨
- ⑩ LENS POT(+)
- ⑪ FOCUS POT WIP
- ⑫ ZOOM POT WIP
- ⑬ LENS POT(-)
- ⑭ Temperature Focusing Correction (+)
- ⑮ Temperature Focusing Correction (-)