

# TZ8X0612D

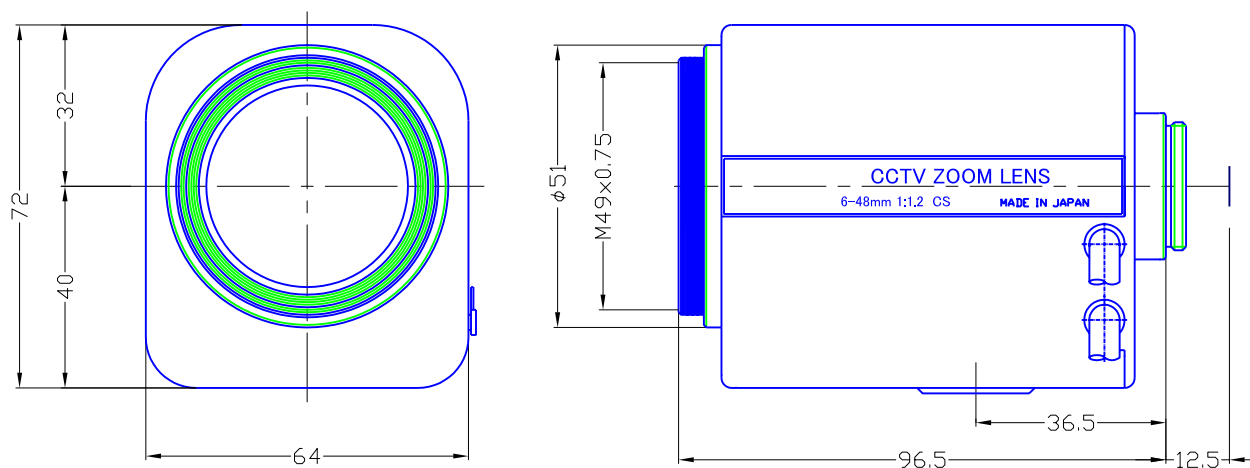
Type	AI ZOOM		Mount	CS		
Focal Length	6~48mm		Back Focus	11.51mm		
Fno.	F1.2		Mechanical Bf	8.5mm		
Designed Image Format	1/3"(3.6x4.8mm)		Exit Pupil	45.5mm		
Operation Range	Iris	F1.2-T360	Filter Size	M49x0.75mm		
	Focus	1m ~ ∞	Aperture	Front	∅40.0mm	
	Zoom	6~48mm		Rear	∅13.0mm	
Control	Iris	DC Galvanometer	Dimention	72x64x91.8mm		
	Focus	DC Motor		Weight	390g	
	Zoom	DC Motor				
Object Size at MOD	Wide	564 x 760mm				
	Tele	74x 97mm				
Field of View	D	55.0°~7.1°	1/4"	41.5°~5.5°		
	H	44.3°~5.8°		33.3°~4.4°		
	V	33.3°~4.4°		25.0°~3.3°		
Control	Iris		Focus	Zoom		
Driving Coil/Supply Volt.	182Ω		DC 6-12V	DC 6-12V		
Damping Coil/Current	1145Ω		60mA or less	60mA or less		
Response Time	-		1 - 2 sec.	1 - 2 sec.		
Potentiometer	-		10KΩ VR	10KΩ VR		
Light Measuring Method	-					
Input Signal	-					
Iris Accuracy	-					
Sensitivity Adjustment	-					
Operating Temperature	-10°C~+50°C					

1/3"

CS

CD

## DIMENSIONS



## Wiring Diagram

1) 4-core Cable for Auto Iris

Yellow	Damping (-)
Green	Damping (+)
Red	Driving (+)
Black	Driving (-)

2) 4-core Cable for Focus / Zoom Control

Black	Focus (+)	Far to Near (-)	Near to Far
Green	Focus (-)	Far to Near (+)	Near to Far
Yellow	Zoom (+)	Wide to Tele (-)	Tele to Wide
Red	Zoom (-)	Wide to Tele (+)	Tele to Wide