

TV3X0310D



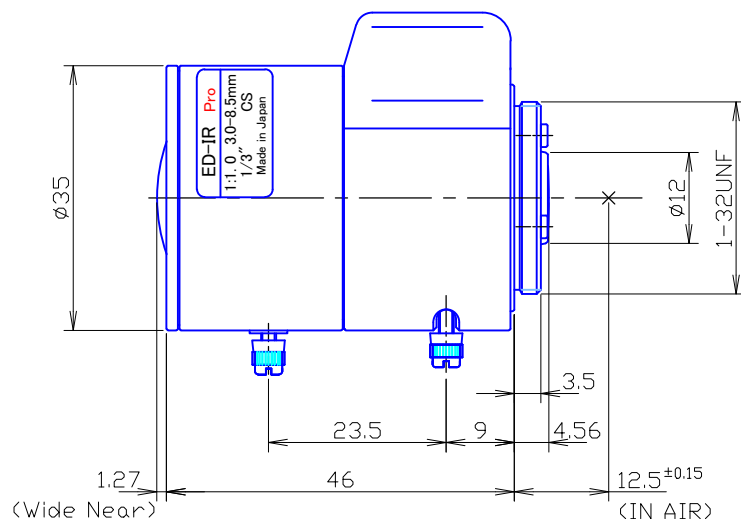
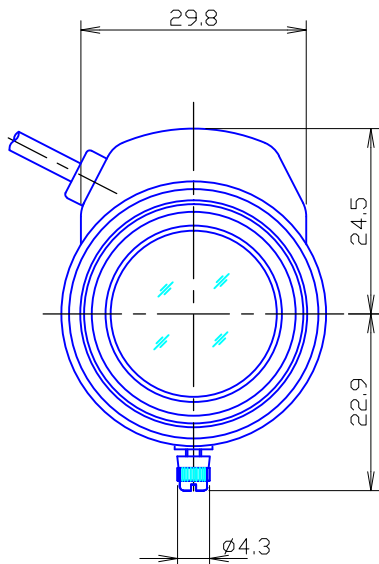
Type	AI VARI		Mount	CS		
Focal Length	3.0~8.5mm		Back Focus	7.94 ~ 13.96mm		
Fno.	F1.0		Mechanical Bf	7.94mm		
Designed Image Format	1/3"(4.8x3.6mm)		Exit Pupil	-224.44 ~ 46.51		
Operation Range	Iris	F1.0-T360	Filter Size	-		
	Focus	0.2m ~ ∞	Aperture	Front	∅20.1mm	
	Zoom	3.0~8.5mm		Rear	∅9.0mm	
Control	Iris	DC Galvanometer	Dimention	35x47.4x46mm		
	Focus	Manual		Weight	54g	
	Zoom	Manual				
Object Size at MOD	Wide	-				
	Tele	-				
Field of View	D	1/3" $\frac{114.1^\circ \sim 41.9^\circ}{90.5^\circ \sim 33.6^\circ}$	1/4" $\frac{84.6^\circ \sim 31.6^\circ}{67.2^\circ \sim 25.2^\circ}$			
	H					
	V					
Control	Iris		Focus		Zoom	
Driving Coil/Supply Volt.	190Ω		-		-	
Damping Coil/Current	855Ω		-		-	
Response Time	-		-		-	
Potentiometer	-		-		-	
Light Measuring Method	-					
Input Signal	-					
Iris Accuracy	-					
Sensitivity Adjustment	-					
Operating Temperature	-10°C ~ +50°C					

1/3"

CS

CSD

DIMENSIONS



Wiring Diagram

1) 4 Pin Standard Connector for Auto Iris

Pin No.1	Damping (-)
2	Damping (+)
3	Driving (+)
4	Driving (-)

