

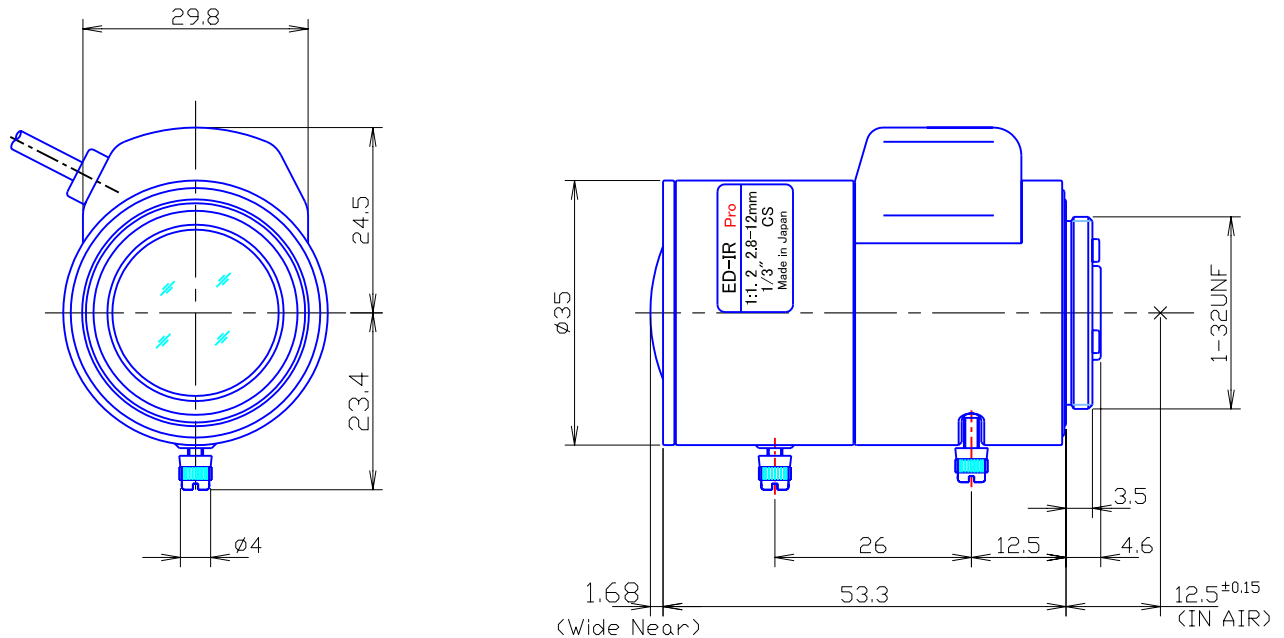
# TV4X2812D



Type	AI VARI		Mount	CS		
Focal Length	2.8~12mm		Back Focus	8.1 ~ 20.2mm		
Fno.	F1.2		Mechanical Bf	8.1mm		
Designed Image Format	1/3"(4.8x3.6mm)		Exit Pupil	58.9 ~ -31.6		
Operation Range	Iris	F1.2-F360	Filter Size	-		
	Focus	0.2m ~ infinity	Aperture	Front	ø20.9mm	
	Zoom	2.8~12mm		Rear	ø8.9mm	
Control	Iris	DC Galvanometer	Dimension	35x47.9x53.3mm		
	Focus	Manual		Weight	58g	
	Zoom	Manual				
Object Size at MOD	Wide	-				
	Tele	-				
Field of View	D	124.9°~29.7°	1/4"	92°~22.3°		
	H	98.5°~23.8°		73°~17.8°		
	V	73°~17.8°		54.3°~13.4°		
Control	Iris		Focus		Zoom	
Driving Coil/Supply Volt.	190Ω		-		-	
Damping Coil/Current	855Ω		-		-	
Response Time	-		-		-	
Potentiometer	-		-		-	
Light Measuring Method	-					
Input Signal	-					
Iris Accuracy	-					
Sensitivity Adjustment	-					
Operating Temperature	-10 ~ +50 Celsius					

1/3"  
CS  
CSD

## DIMENSIONS



## Wiring Diagram

1) 4 Pin Standard Connector for Auto Iris

Pin No.1	Damping (-)
2	Damping (+)
3	Driving (+)
4	Driving (-)

