

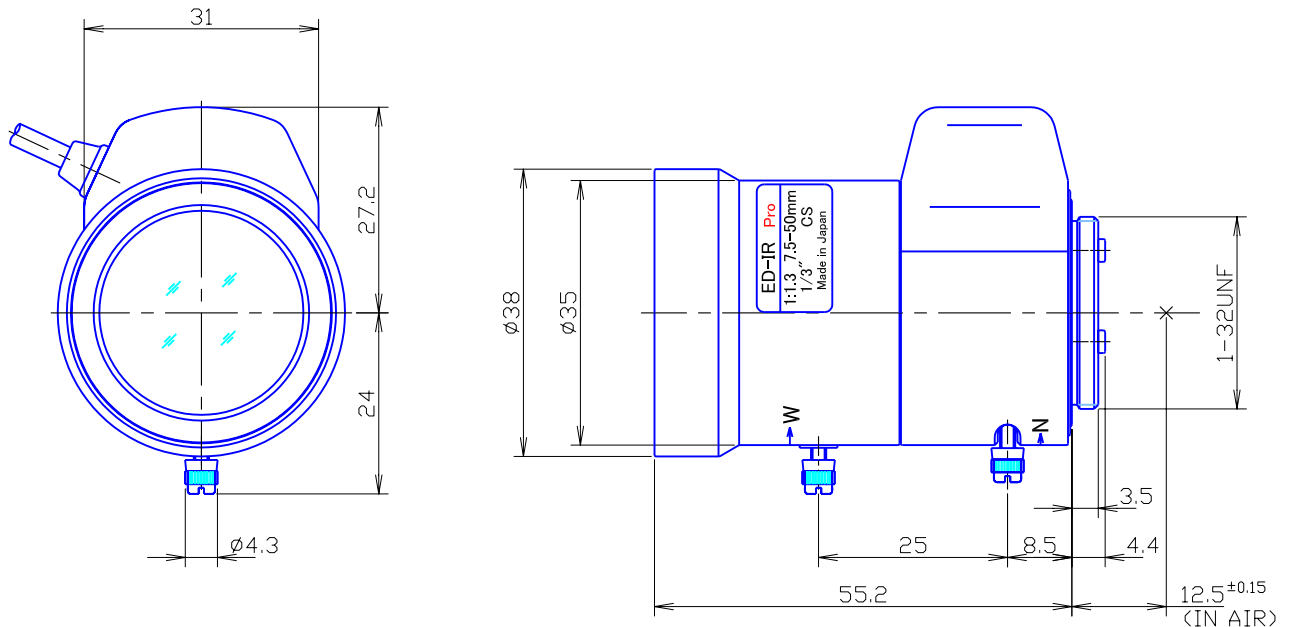
# TV7X7513D



Type	AI VARI		Mount	CS		
Focal Length	7.5~50mm		Back Focus	11.96 ~ 9.61mm		
Fno.	F1.3		Mechanical Bf	8.1mm		
Designed Image Format	1/3"(4.8x3.6mm)		Exit Pupil	48.78 ~ 59.53		
Operation Range	Iris	F1.3~F360	Filter Size	-		
	Focus	0.4m ~ infinity	Aperture	Front	ø25.7mm	
	Zoom	7.5~50mm		Rear	ø9.8mm	
Control	Iris	DC Galvanometer	Dimension	38x50.1x55.2mm		
	Focus	Manual		Weight	68g	
	Zoom	Manual				
Object Size at MOD	Wide	-				
	Tele	-				
Field of View	D	46.2°~7.00°	1/4"	34.2°~5.30°		
	H	36.6°~5.64°		27.4°~4.26°		
	V	27.4°~4.26°		20.4°~3.22°		
Control	Iris		Focus		Zoom	
Driving Coil/Supply Volt.	190Ω		-		-	
Damping Coil/Current	1310Ω		-		-	
Response Time	-		-		-	
Potentiometer	-		-		-	
Light Measuring Method	-					
Input Signal	-					
Iris Accuracy	-					
Sensitivity Adjustment	-					
Operating Temperature	-10 ~ +50 Celsius					

1/3"  
CS  
CSD

## DIMENSIONS



## Wiring Diagram

1) 4 Pin Standard Connector for Auto Iris

Pin No.1	Damping (-)
2	Damping (+)
3	Driving (+)
4	Driving (-)

